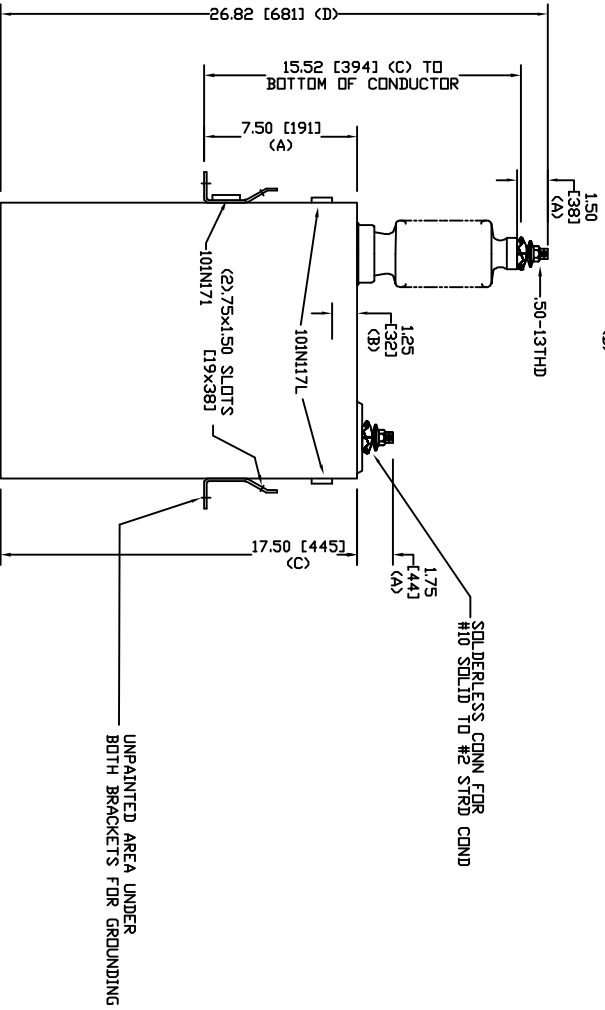
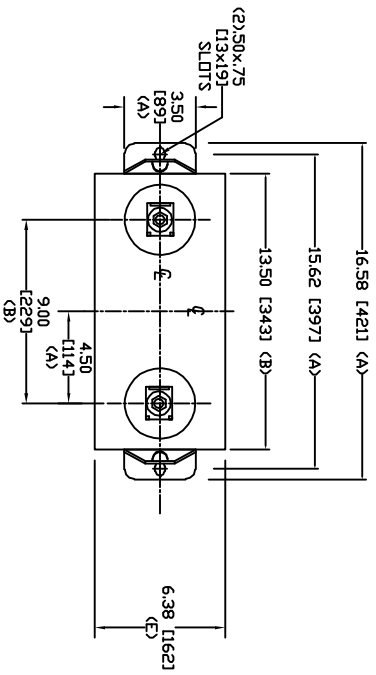


| SIZE | DWG. NO. | SHT | REV |
|------|-------------|-----------|----------|
| A | S9L134WC10 | 2 | 0 |
| REV | DESCRIPTION | DATE | APPROVED |
| 0 | New | 5/30/2006 | |



| TOL | In. | mm |
|-----|-------|---------|
| A | .06 | 1.5 |
| B | .12 | 3.0 |
| C | .18 | 4.6 |
| D | .25 | 6.4 |
| E | +5/-1 | +13/-25 |

14400 V 1 PH 95 KV/BIL
 300 KVAR 60 Hz
 CAT. S9L134WC10
 2.46 GAL
 MFG DATE
 101N171 READ GEH-2743



GE ENERGY
 FORT EDWARD, N.Y., U.S.A.

DRAWN ACAD VBA DATE 11/12/2009
 ISSUED RAH DATE 11/12/2009

SIZE A

WEIGHT 67.5 lbs
 30.7 kg

OUTLINE
 S9L134WC10

SCALE

SHEET 2
 CNT 3