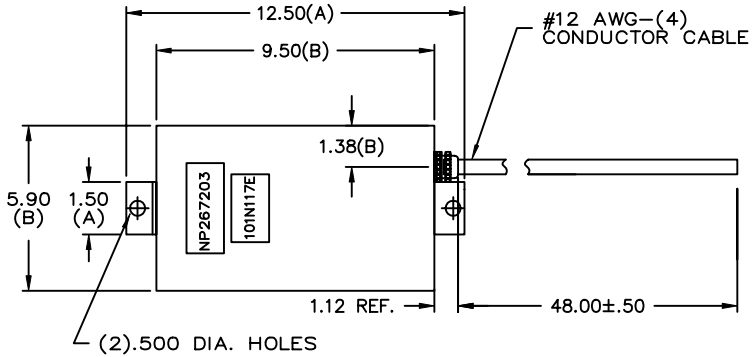
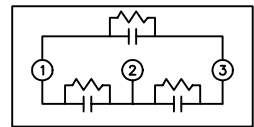


SIZE A	DWG NO 65L553TA1	SHT 1	REV 1
REV 1	DESCRIPTION DEL PIPE CONN	DATE	APPROVED EJM

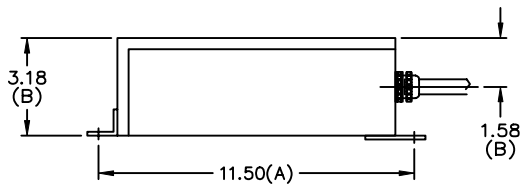
TOL	+/-
A	.06
B	.12
C	.18
D	.25
E	.02



- 1 - RED LEAD
- 2 - BLACK LEAD
- 3 - WHITE LEAD
- GRD. - GREEN LEAD



SCHEMATIC DIAGRAM - 302



CAT. 65L553TA1 SN  
 480V 60Hz 2.5 KVAR  
 3PH BIL KV  
 0.06 GAL COMBUSTIBLE LIQUID  
 CAUTION! BEFORE INSTALLING  
 OR OPERATING READ GEH-2729  
 NP267203

INDUSTRIAL SYSTEMS FORT EDWARD, N.Y., U.S.A.	DATE	8/09/91	SIZE	A	OUTLINE 65L553TA1			
	DRAWN	E. McGinn	DATE	8/12/91		SCALE		
ISSUED					SHEET	2	CONT	-

EJSTR-TU