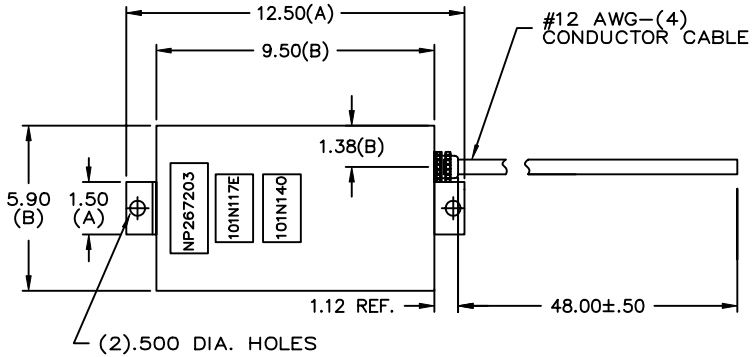
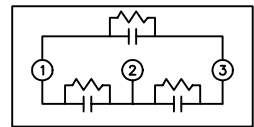


SIZE A	DWG NO 65L554TF1	SHT 1	REV 1
REV 1	DESCRIPTION DEL PIPE CONN	DATE	APPROVED EJM

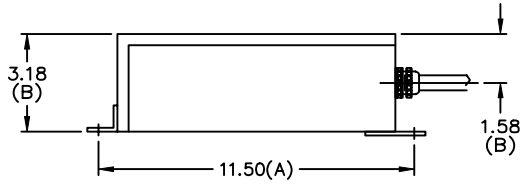
TOL	+/-
A	.06
B	.12
C	.18
D	.25
E	.02



- 1 - RED LEAD
- 2 - BLACK LEAD
- 3 - WHITE LEAD
- GRD. - GREEN LEAD



SCHEMATIC DIAGRAM - 302



CAT. 65L554TF1 SN
600V 60Hz 3 KVAR
3PH BIL KV
0.03 GAL COMBUSTIBLE LIQUID
CAUTION! BEFORE INSTALLING
OR OPERATING READ GEH-2729
NP267203

	INDUSTRIAL SYSTEMS FORT EDWARD, N.Y., U.S.A.	
	DRAWN E. McGinn	DATE 1/28/93
ISSUED	DATE 2/22/93	

SIZE A	
SCALE	

OUTLINE 65L554TF1	
SHEET 2	CONT ON -

EJMR-TU