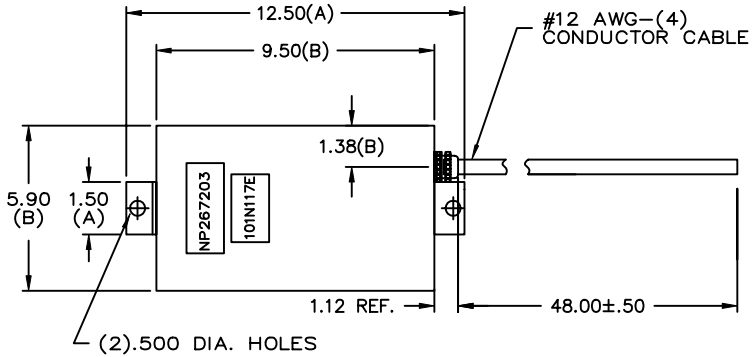
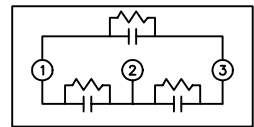


SIZE A	DWG NO 65L556TA1	SHT 1	REV 1
REV 1	DESCRIPTION DEL PIPE CONN	DATE	APPROVED EJM

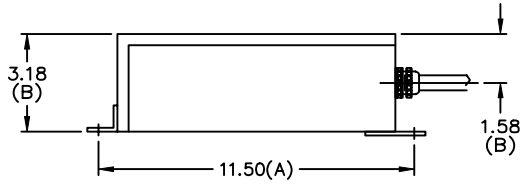
TOL	+/-
A	.06
B	.12
C	.18
D	.25
E	.02



- 1 - RED LEAD
- 2 - BLACK LEAD
- 3 - WHITE LEAD
- GRD. - GREEN LEAD



SCHEMATIC DIAGRAM - 302



CAT. 65L556TA1 SN  
480V 60Hz 5 KVAR  
3PH BIL KV  
0.03 GAL COMBUSTIBLE LIQUID  
CAUTION! BEFORE INSTALLING  
OR OPERATING READ GEH-2729  
NP267203

	INDUSTRIAL SYSTEMS FORT EDWARD, N.Y., U.S.A.	
	DRAWN E. McGinn	DATE 8/09/91
ISSUED	DATE 8/12/91	SCALE

SIZE A	OUTLINE 65L556TA1
SCALE	
SHEET 2	CONT ON -

EJSTR-TU