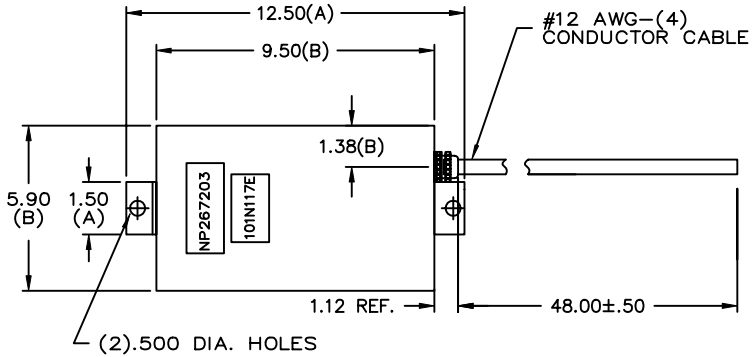
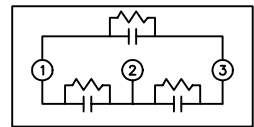


| | | | |
|-----------|------------------------------|----------|-----------------|
| SIZE A | DWG NO 65L556TL1 | SHT 1 | REV 1 |
| REV 1 | DESCRIPTION DEL PIPE CONN | DATE | APPROVED EJM |

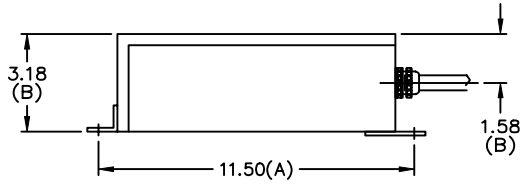
| TOL | +/- |
|-----|-----|
| A | .06 |
| B | .12 |
| C | .18 |
| D | .25 |
| E | .02 |



- 1 - RED LEAD
- 2 - BLACK LEAD
- 3 - WHITE LEAD
- GRD. - GREEN LEAD



SCHEMATIC DIAGRAM - 302



CAT. 65L556TL1 SN
 240V 60Hz 5 KVAR
 3PH BIL KV
 0.07 GAL COMBUSTIBLE LIQUID
 CAUTION! BEFORE INSTALLING
 OR OPERATING READ GEH-2729
 NP267203

| | | | | | |
|--------|---|-----------------|-----------|----------------------|--------------|
| | INDUSTRIAL SYSTEMS FORT EDWARD, N.Y., U.S.A. | | SIZE A | OUTLINE 65L556TL1 | |
| | DRAWN E. McGinn | DATE 8/09/91 | SCALE | | |
| ISSUED | DATE 8/12/91 | | | SHEET 2 | CONT ON - |

EJSTR-TU