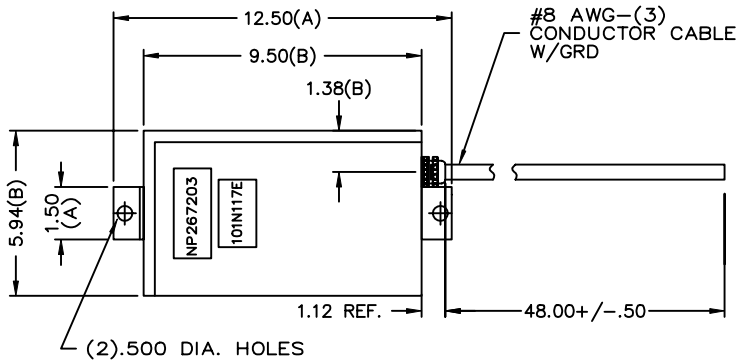
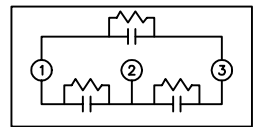


SIZE A	DWG NO 65L558TL1	SHT 2	REV 1
REV 1	DESCRIPTION DEL PIPE CONN	DATE	APPROVED EJM

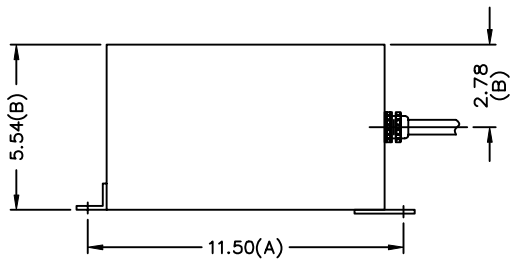


TOL	+/-
A	.06
B	.12
C	.18
D	.25
E	.02

- 1 - RED LEAD
- 2 - BLACK LEAD
- 3 - WHITE LEAD
- GRD. - BARE LEAD



SCHEMATIC DIAGRAM - 302



CAT. 65L568TL1 SN
 240V 60Hz 7.5 KVAR
 3PH BIL KV
 0.02 GAL COMBUSTIBLE LIQUID
 CAUTION! BEFORE INSTALLING
 OR OPERATING READ GEH-2729
 NP267203

	INDUSTRIAL SYSTEMS FORT EDWARD, N.Y., U.S.A.	
	DRAWN E. McGinn	DATE 8/9/91
	ISSUED	DATE 8/12/91

SIZE A	OUTLINE 65L558TL1	
SCALE	SHEET 2	CONT -

EJSTR-TU