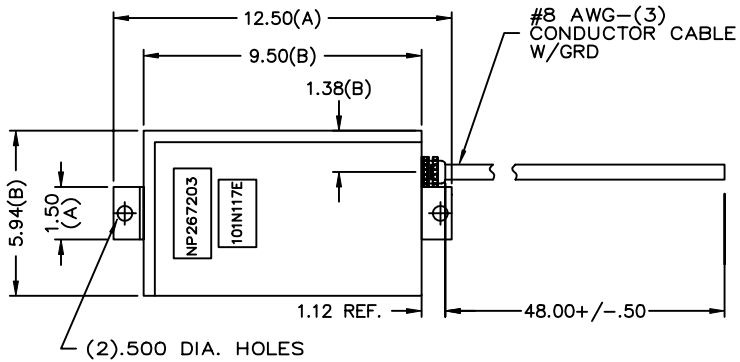
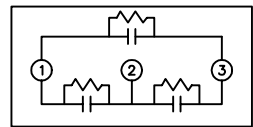


SIZE	DWG NO	SHT	REV
A	65L561TL1	2	1
REV	DESCRIPTION	DATE	APPROVED
1	DEL PIPE CONN		EJM

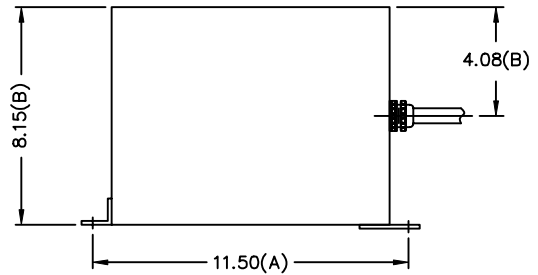


TOL	+/-
A	.06
B	.12
C	.18
D	.25
E	.02

- 1 - RED LEAD
- 2 - BLACK LEAD
- 3 - WHITE LEAD
- GRD. - BARE LEAD



SCHEMATIC DIAGRAM - 302



CAT. 65L561TL1 SN  
 240V 60Hz 15 KVAR  
 3PH BIL KV  
 0.2 GAL COMBUSTIBLE LIQUID  
 CAUTION! BEFORE INSTALLING  
 OR OPERATING READ GEH-2729  
 NP267203

	INDUSTRIAL SYSTEMS FORT EDWARD, N.Y., U.S.A.	
	DRAWN E. McGinn	DATE 8/9/91
ISSUED	DATE 8/12/91	SCALE

SIZE A	OUTLINE 65L561TL1	SHEET 2	CONT -
SCALE			

FISTR. TU