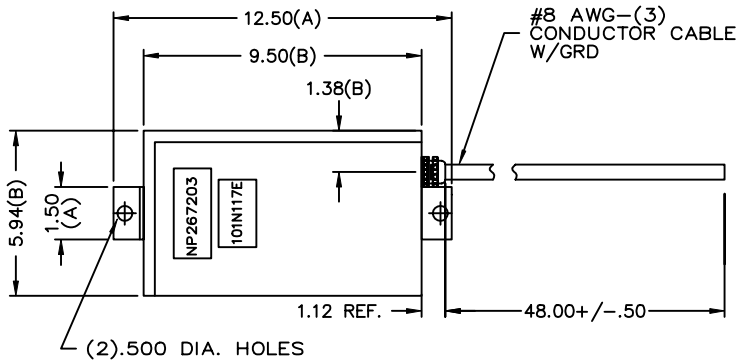
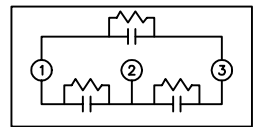


SIZE A	DWG NO 65L563TA1	SHT 2	REV 1
REV 1	DESCRIPTION DEL PIPE CONN	DATE	APPROVED EJM

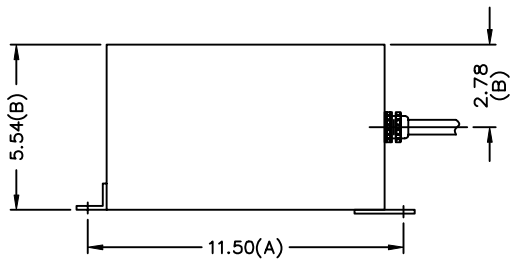


TOL	+/-
A	.06
B	.12
C	.18
D	.25
E	.02

- 1 - RED LEAD
- 2 - BLACK LEAD
- 3 - WHITE LEAD
- GRD. - BARE LEAD



SCHEMATIC DIAGRAM - 302



CAT. 65L563TA1 SN  
 480V 60Hz 20 KVAR  
 3PH BIL KV  
 0.16 GAL COMBUSTIBLE LIQUID  
 CAUTION! BEFORE INSTALLING  
 OR OPERATING READ GEH-2729  
 NP267203

INDUSTRIAL SYSTEMS FORT EDWARD, N.Y., U.S.A.	SIZE A	OUTLINE 65L563TA1	
	SCALE		
DRAWN E. McGinn	DATE 8/7/91	SHEET 2	CONT -
ISSUED	DATE 8/12/91		

P15TR-10