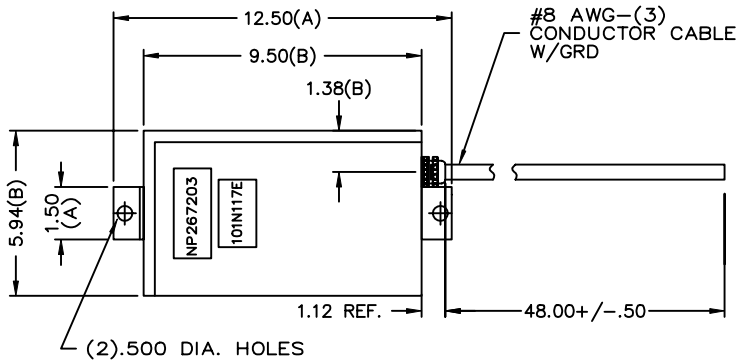
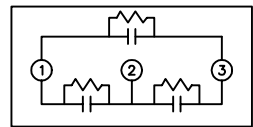


SIZE	DWG NO	SHT	REV
A	65L567TA1	2	1
REV	DESCRIPTION	DATE	APPROVED
1	DEL PIPE CONN		EJM

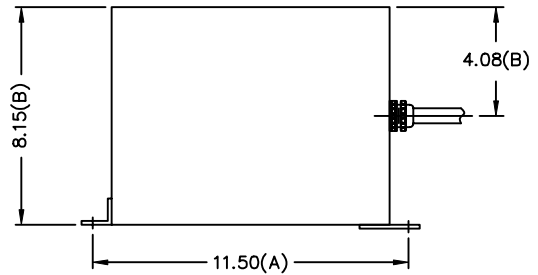


TOL	+/-
A	.06
B	.12
C	.18
D	.25
E	.02

- 1 - RED LEAD
- 2 - BLACK LEAD
- 3 - WHITE LEAD
- GRD. - BARE LEAD



SCHEMATIC DIAGRAM - 302



CAT. 65L567TA1 SN  
 480V 60Hz 30 KVAR  
 3PH BIL KV  
 0.24 GAL COMBUSTIBLE LIQUID  
 CAUTION! BEFORE INSTALLING  
 OR OPERATING READ GEH-2729  
 NP267203

INDUSTRIAL SYSTEMS FORT EDWARD, N.Y., U.S.A.		SIZE	A
DRAWN	E. McGinn	DATE	8/9/91
ISSUED		DATE	8/12/91

SCALE		SHEET	2	CONT	-
		OUTLINE 65L567TA1			

P15TR-710