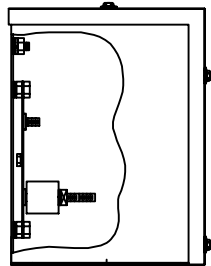
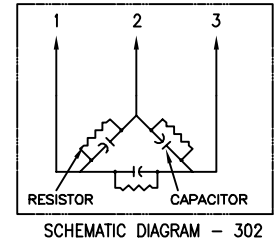
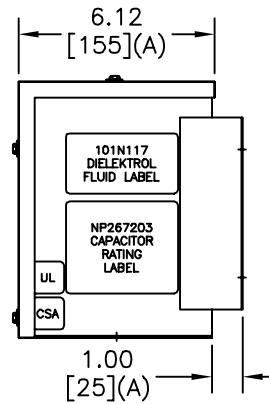
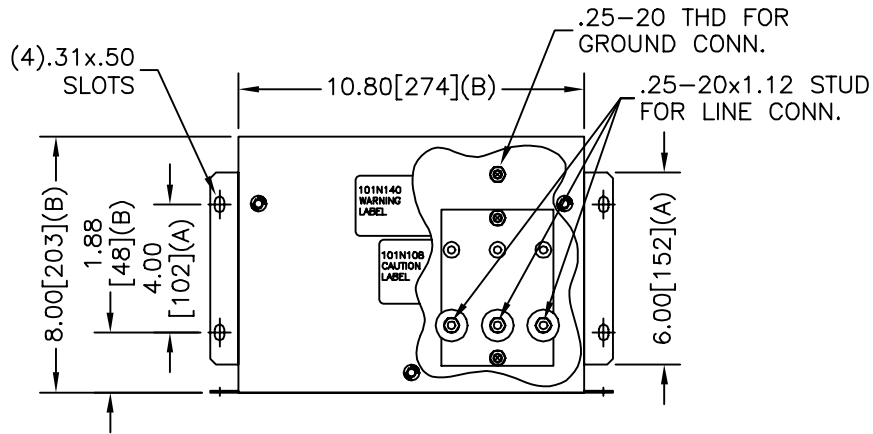
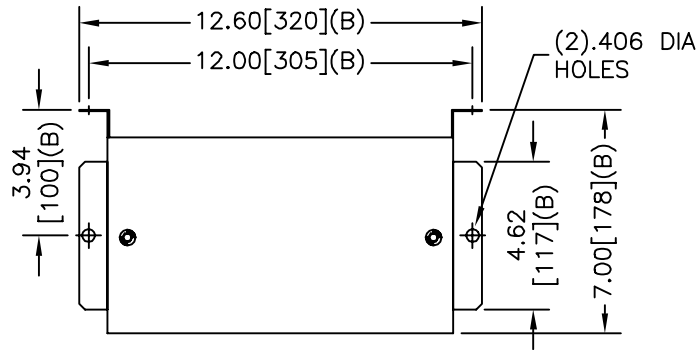


| | | | |
|-----------|---------------------|----------|----------|
| SIZE A | DWG NO 65L800TL2 | SHT 2 | REV |
| REV | DESCRIPTION | DATE | APPROVED |
| | | | |



GE CAPACITOR

WITH INTERNAL DISCHARGE RESISTORS

CAT 65L800TL2 SN
 1 KVAR 240V 60HZ 3PH

CONTAINS 0.06 GAL. COMBUSTIBLE LIQUID WITH LESS THAN ONE PART PER MILLION PCB ON MFG DATE MM/YYYY
 CAUTION! BEFORE INSTALLING OR OPERATING READ GE# 2738

NP267203 FORT EDWARD, N.Y. MADE IN U.S.A.

| TOL | +/- |
|-----|-----|
| A | .06 |
| B | .12 |
| C | .18 |
| D | .25 |

| | | |
|---|------------------|-----------|
| INDUSTRIAL SYSTEMS FORT EDWARD, N.Y., U.S.A. | | SIZE A |
| DRAWN A.COZZENS | DATE 7/2/2003 | SCALE |
| ISSUED | DATE 7/9/2003 | |

OUTLINE
65L800TL2

SHEET 2 CONT ON -

DISTR. TO