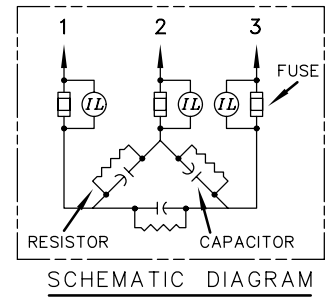
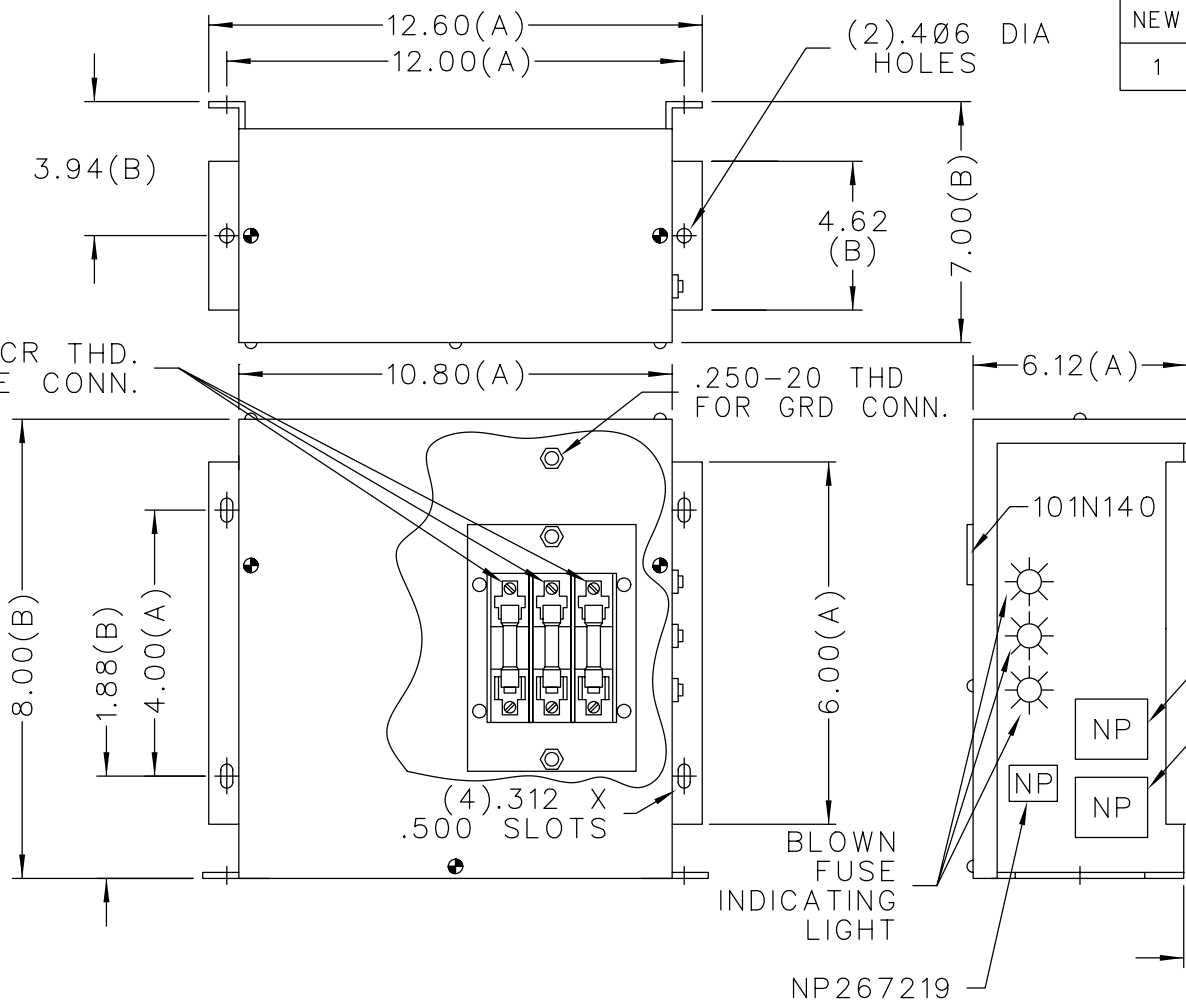
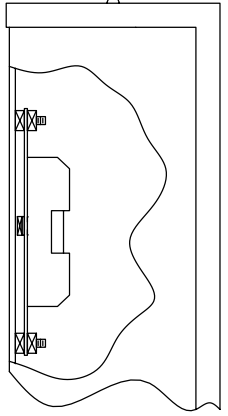


| | | | |
|------------------|----------------------|------------------|-----|
| SIZE A | DWG NO. 65L804TQ1 | SH 2 | REV |
| NEW | 01/24/91 | | |
| 1 | ADD NP 101N140 | DATE 10/20/93 | |



QQ or SCR THD.
FOR LINE CONN.



| TOL | +/- |
|-----|-----|
| A | .06 |
| B | .12 |
| C | .18 |
| D | .25 |

CAT 65L804TQ1 SN
3 KVAR 240V 60HZ 3PH
0.04 GAL
MFG DATE
READ GEH-2738
NP267203

| | | | | |
|---|-----------------------------------|--------------------|-------------------------------------|----------|
| <p>CAPACITOR & POWER PROTECTION OPERATION LOCATION: FORT EDWARD, N.Y., U.S.A.</p> | SIZE A | EST. WT. 9 Lbs. | <h1>OUTLINE</h1> <h2>65L804TQ1</h2> | DISTR TO |
| | DRAWN 01/02/91 ISSUED 01/24/91 | SCALE | | |