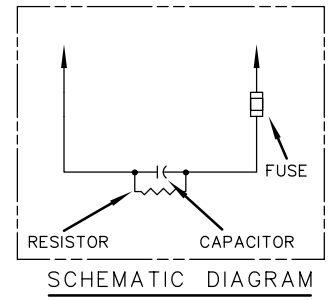
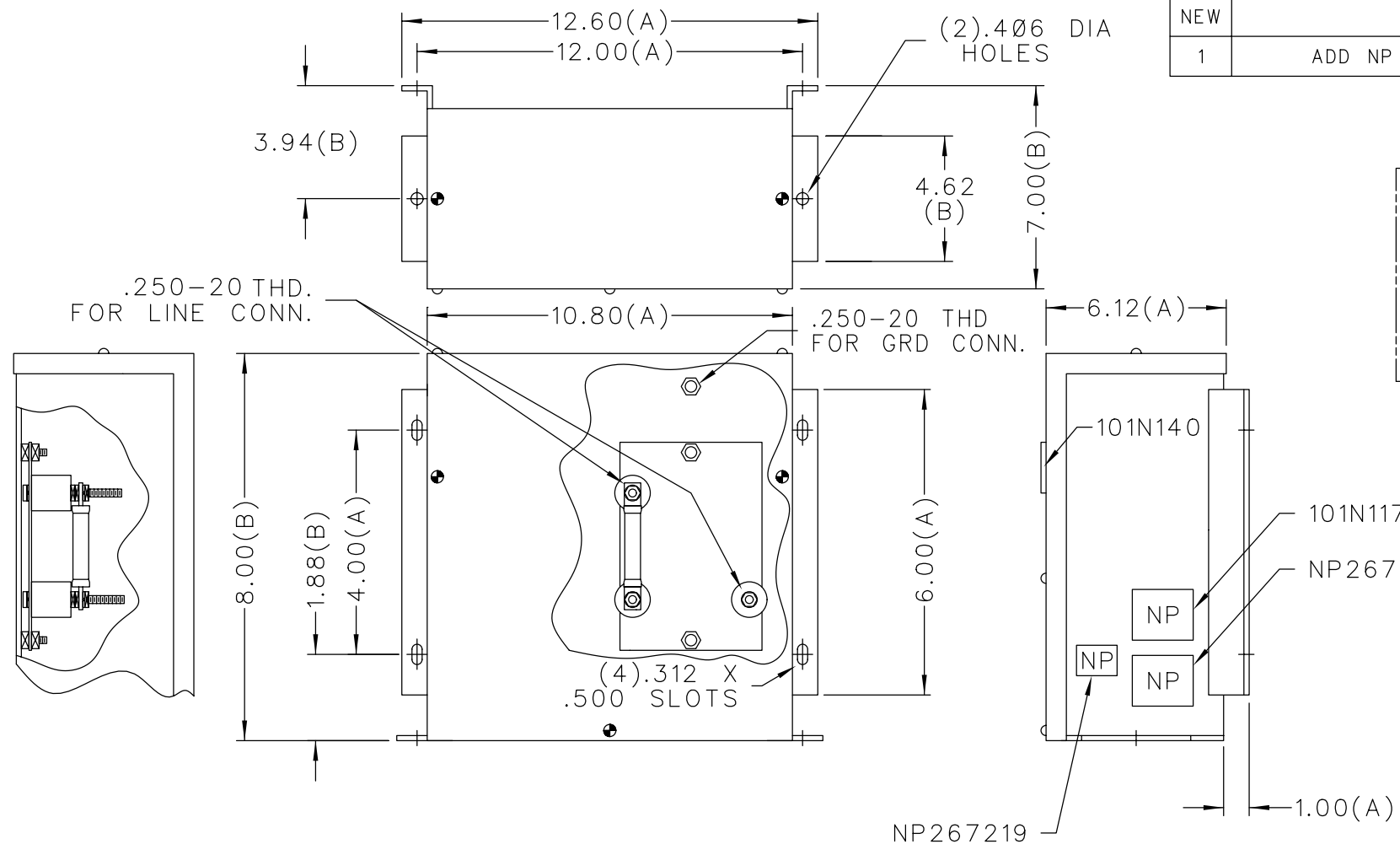


| | | | |
|------------------|----------------------|------------------|-----|
| SIZE A | DWG NO. 65L807TY1 | SH 2 | REV |
| NEW | 02/07/91 | | |
| 1 | ADD NP 101N140 | DATE 10/20/93 | |



| TOL | +/- |
|-----|-----|
| A | .06 |
| B | .12 |
| C | .18 |
| D | .25 |

CAT 65L807TY1 SN
 6 KVAR 240V 60HZ 1PH
 0.09 GAL
 MFG DATE
 READ GEH-2738
 NP267203

| | | | | |
|---|-----------------------------------|---------------------|------------------------------------|----------|
| CAPACITOR & POWER PROTECTION OPERATION LOCATION: FORT EDWARD, N.Y., U.S.A. | SIZE A | EST. WT. 11 Lbs. | OUTLINE 65L807TY1 | DISTR TO |
| | DRAWN 01/02/91 ISSUED 02/07/91 | SCALE | | |