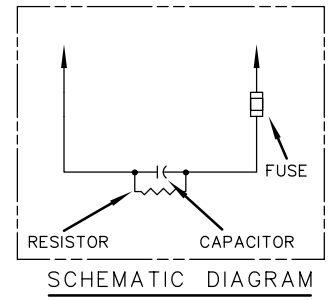
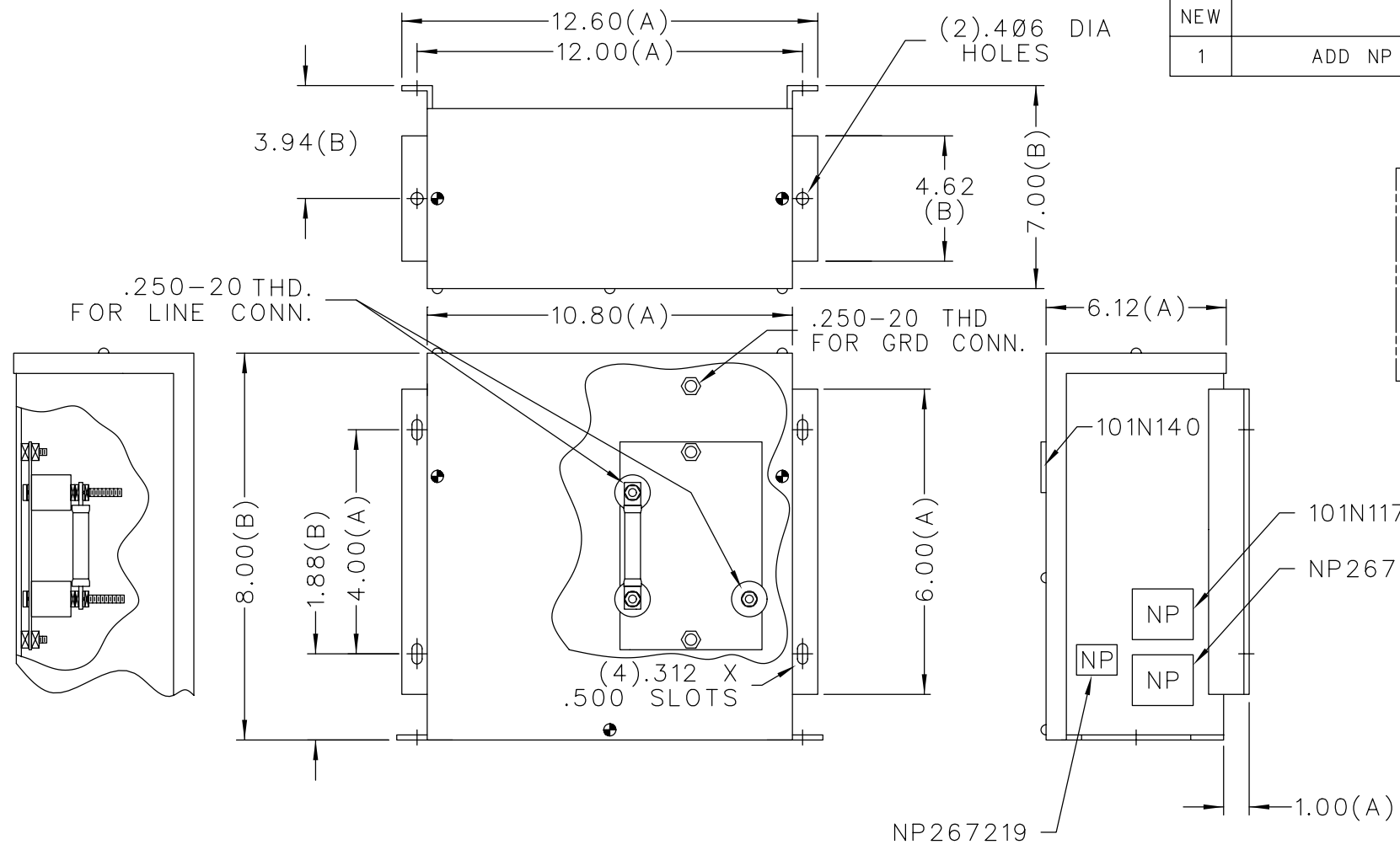


SIZE A	DWG NO. 65L808TY1	SH 2	REV
NEW	02/07/91		
1	ADD NP 101N140	DATE 10/20/93	



TOL	+/-
A	.06
B	.12
C	.18
D	.25

CAT 65L808TY1 SN
 7.5 KVAR 240V 60HZ 1PH
 0.2 GAL
 MFG DATE
 READ GEH-2738
 NP267203

<p>CAPACITOR & POWER PROTECTION OPERATION LOCATION: FORT EDWARD, N.Y., U.S.A.</p>	SIZE A	EST. WT. 12 Lbs.	<p>OUTLINE 65L808TY1</p>
	DRAWN 01/02/91 ISSUED 02/07/91	SCALE	

DISTR TO