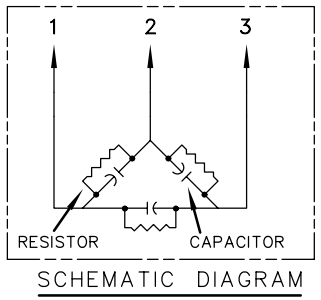
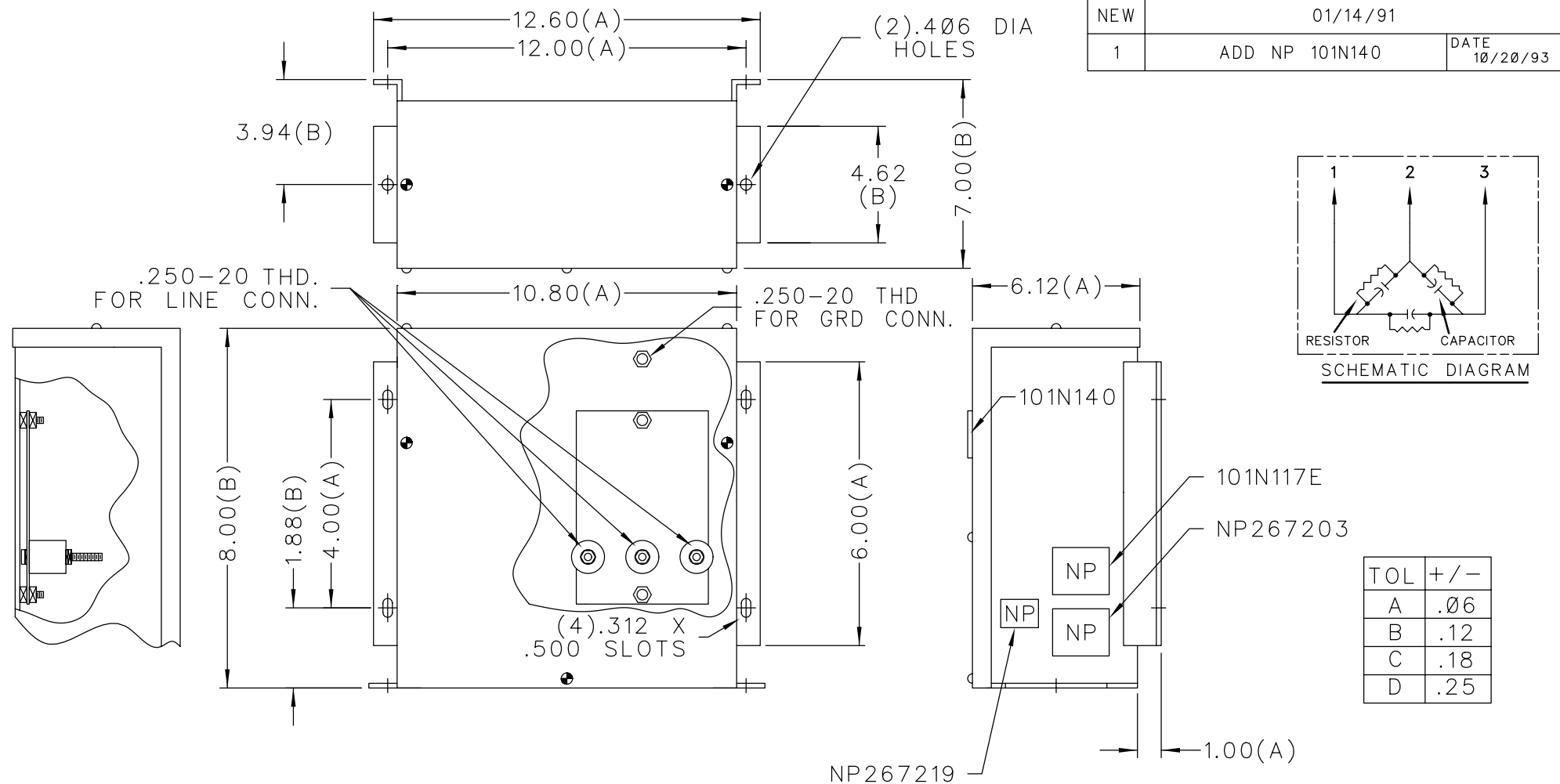


| | | | |
|------------------|----------------------|------------------|-----|
| SIZE A | DWG NO. 65L809TA1 | SH 2 | REV |
| NEW | 01/14/91 | | |
| 1 | ADD NP 101N140 | DATE 10/20/93 | |



| TOL | +/- |
|-----|-----|
| A | .06 |
| B | .12 |
| C | .18 |
| D | .25 |

CAT 65L809TA1 SN
 10 KVAR 480V 60HZ 3PH
 0.08 GAL
 MFG DATE
 READ GEH-2738
 NP267203

| | | | | |
|---|-----------------------------------|---------------------|------------------------------------|----------|
| CAPACITOR & POWER PROTECTION OPERATION LOCATION: FORT EDWARD, N.Y., U.S.A. | SIZE A | EST. WT. 10 Lbs. | OUTLINE 65L809TA1 | DISTR TO |
| | DRAWN 01/02/91 ISSUED 01/14/91 | SCALE | | |