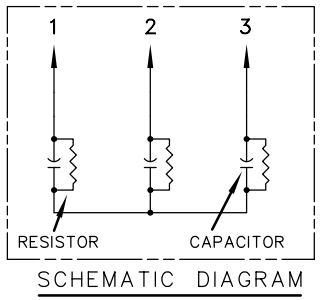
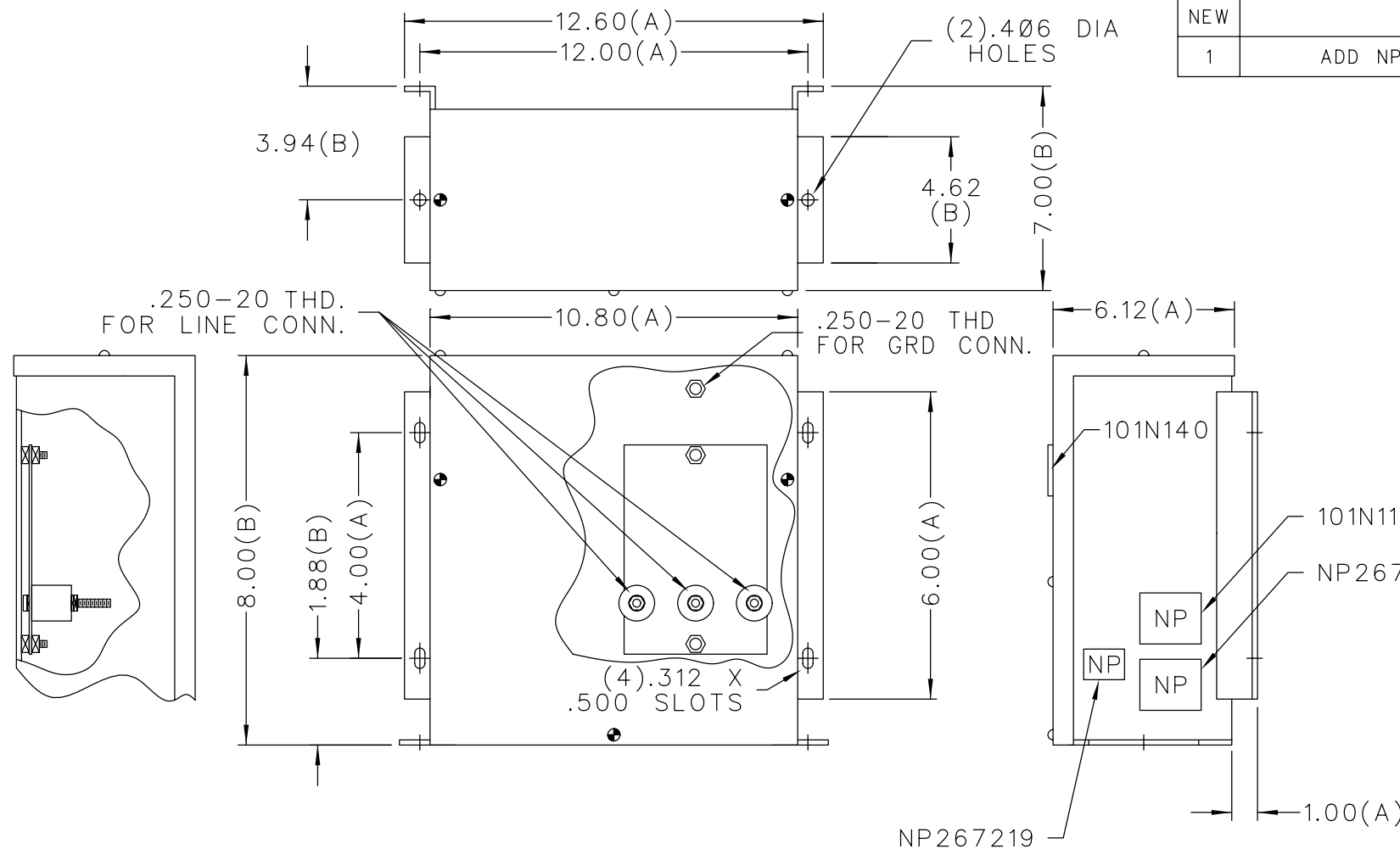


|                  |                      |                  |     |
|------------------|----------------------|------------------|-----|
| SIZE<br><b>A</b> | DWG NO.<br>65L809TF1 | SH<br>2          | REV |
| NEW              | 01/10/91             |                  |     |
| 1                | ADD NP 101N140       | DATE<br>10/20/93 |     |



| TOL | +/- |
|-----|-----|
| A   | .06 |
| B   | .12 |
| C   | .18 |
| D   | .25 |

CAT 65L809TF1 SN  
 10 KVAR 600V 60HZ 3PH  
 0.22 GAL  
 MFG DATE  
 READ GEH-2738  
 NP267203

|   |                                   |                     |                                    |          |
|---|-----------------------------------|---------------------|------------------------------------|----------|
| <br>CAPACITOR & POWER PROTECTION OPERATION<br>LOCATION: FORT EDWARD, N.Y., U.S.A. | SIZE<br><b>A</b>                  | EST. WT.<br>12 Lbs. | <b>OUTLINE</b><br><b>65L809TF1</b> | DISTR TO |
|   | DRAWN 01/02/91<br>ISSUED 01/10/91 | SCALE               |                                    |          |