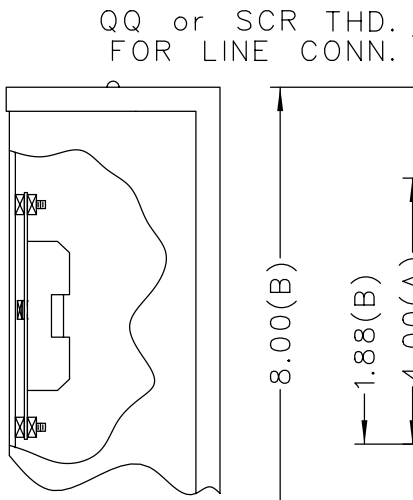
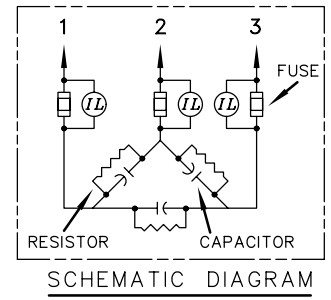
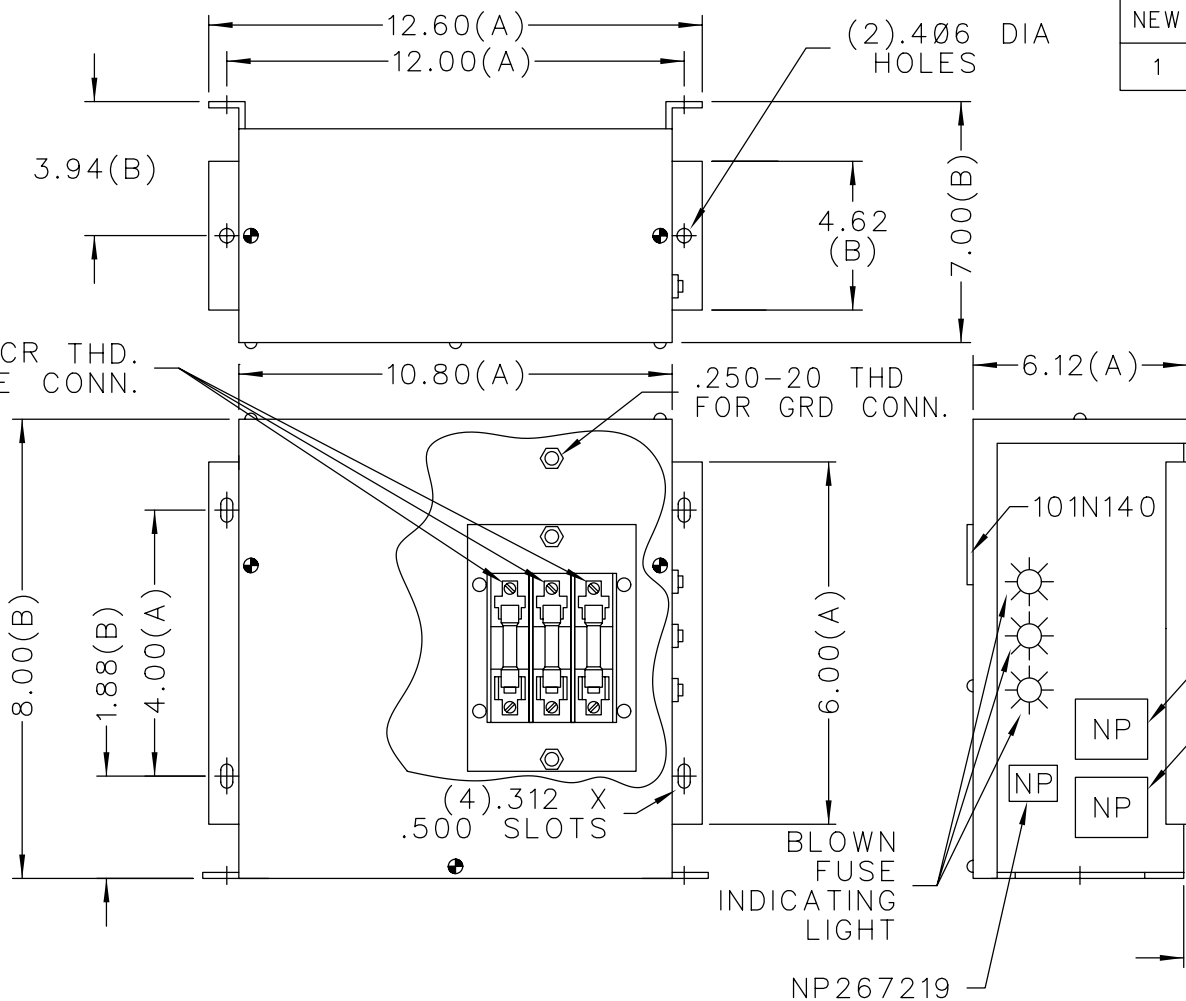


SIZE A	DWG NO. 65L810TE1	SH 2	REV
NEW	01/14/91		DATE
1	ADD NP 101N140	10/20/93	



TOL	+/-
A	.06
B	.12
C	.18
D	.25

CAT 65L810TE1 SN
 12.5 KVAR 480V 60HZ 3PH
 0.05 GAL
 MFG DATE
 READ GEH-2738
 NP267203

 CAPACITOR & POWER PROTECTION OPERATION LOCATION: FORT EDWARD, N.Y., U.S.A.	SIZE A	EST. WT. 10 Lbs.	OUTLINE 65L810TE1	DISTR TO
	DRAWN 01/02/91 ISSUED 01/14/91	SCALE		