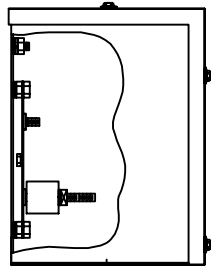
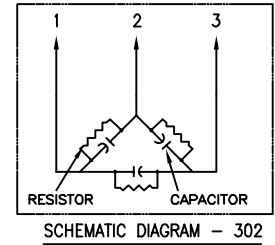
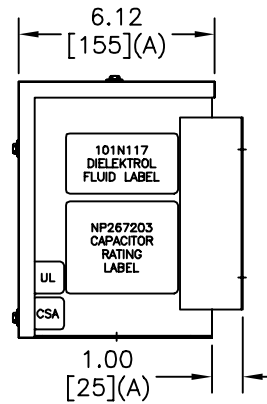
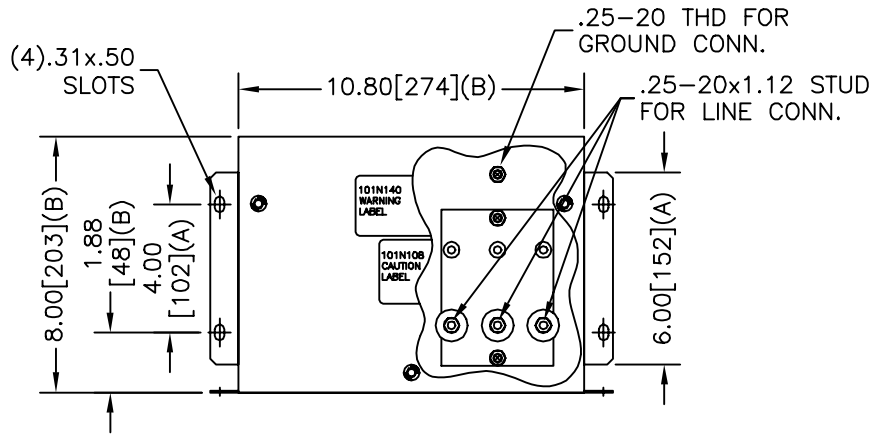
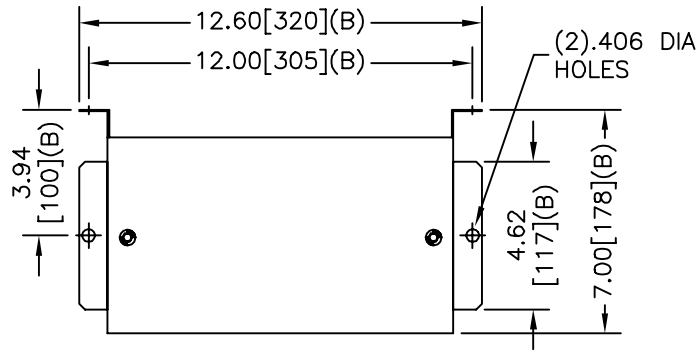


SIZE A	DWG NO 65L810TL2	SHT 2	REV
REV	DESCRIPTION	DATE	APPROVED



GE CAPACITOR

WITH INTERNAL DISCHARGE RESISTORS

CAT 65L810TL2 SN
 12.5 KVAR 240V 60HZ 3PH

CONTAINS 0.1 GAL. COMBUSTIBLE LIQUID WITH LESS THAN ONE PART PER MILLION PCB ON MFG DATE MM/YYYY
 CAUTION! BEFORE INSTALLING OR OPERATING READ GEH- 2738

NP267203 FORT EDWARD, N.Y. MADE IN U.S.A.

TOL	+/-
A	.06
B	.12
C	.18
D	.25

	INDUSTRIAL SYSTEMS FORT EDWARD, N.Y., U.S.A.	
	DRAWN A.COZZENS	DATE 7/8/2003
ISSUED	DATE 7/16/2003	SCALE

SIZE A	

OUTLINE 65L810TL2	
SHEET 2	CONT ON -

DISTR. TO