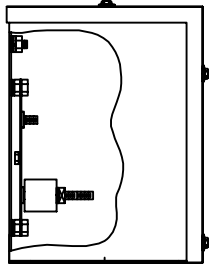
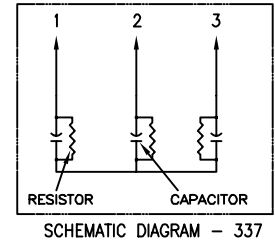
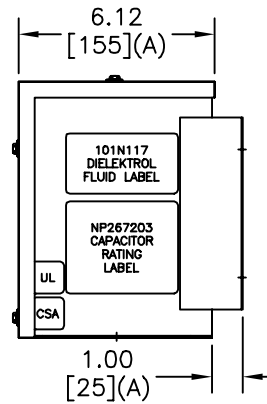
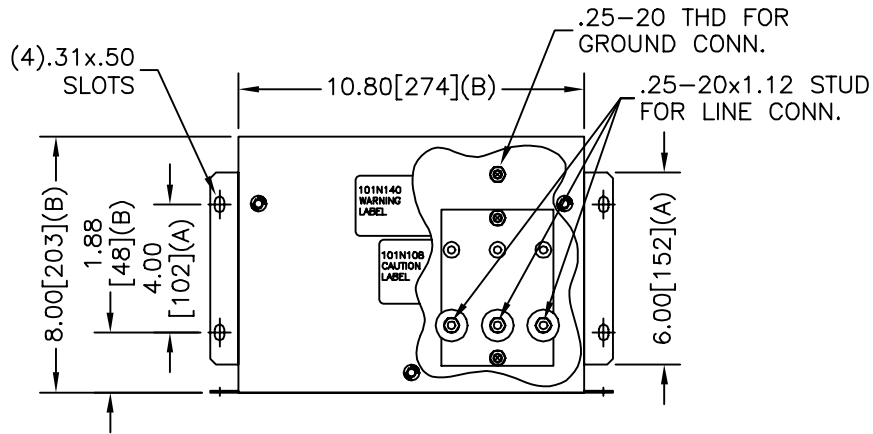
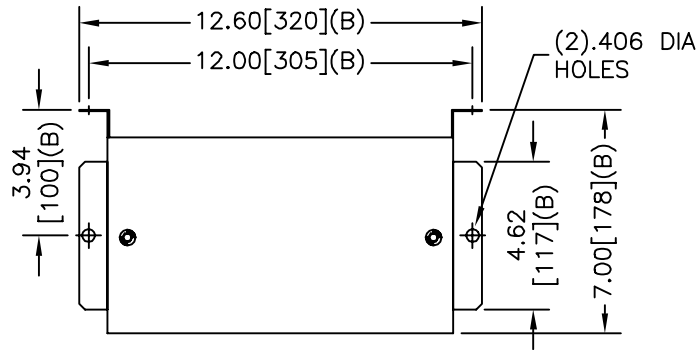


SIZE A	DWG NO 65L811TF2	SHT 2	REV
REV	DESCRIPTION	DATE	APPROVED



GE CAPACITOR

WITH INTERNAL DISCHARGE RESISTORS

CAT 65L811TF2 SN
15 KVAR 600V 60HZ 3PH

CONTAINS 0.14 GAL. COMBUSTIBLE LIQUID WITH LESS THAN ONE PART PER MILLION PCB ON MFG DATE MM/YYYY
CAUTION! BEFORE INSTALLING OR OPERATING READ GEH- 2738

NP267203 FORT EDWARD, N.Y. MADE IN U.S.A.

TOL	+/-
A	.06
B	.12
C	.18
D	.25

INDUSTRIAL SYSTEMS
FORT EDWARD, N.Y., U.S.A.

DRAWN B.Ross DATE 9/16/2003
ISSUED DATE 9/17/2003

SIZE
A

SCALE

OUTLINE
65L811TF2

SHEET 2 CONT ON -

DISTR. TO