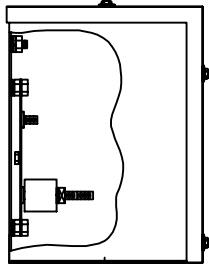
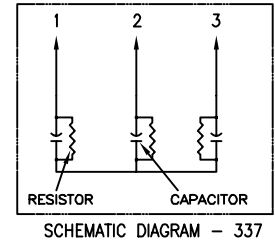
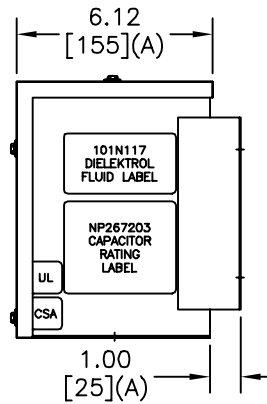
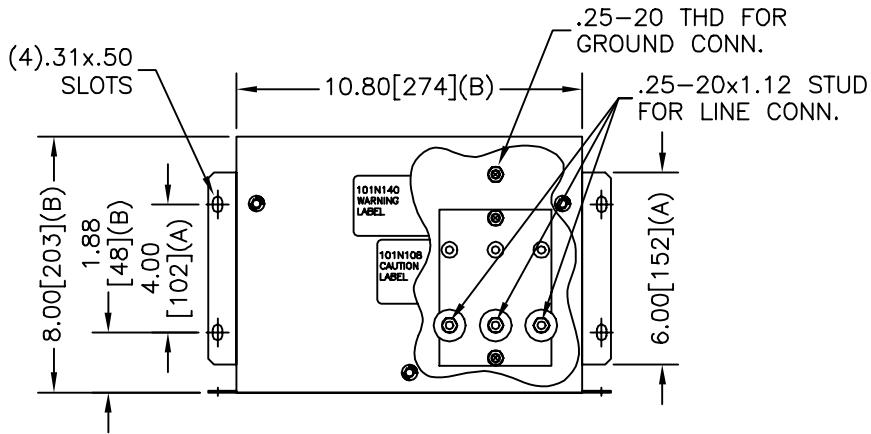
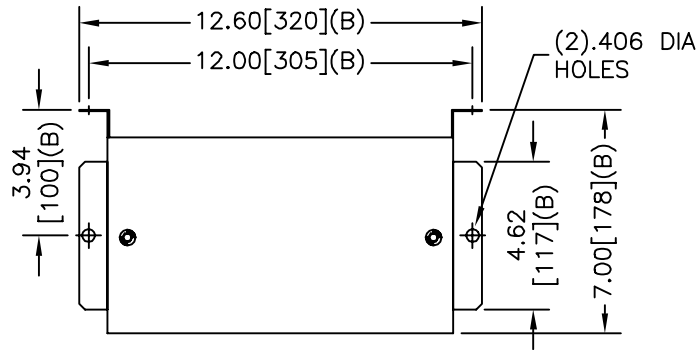


SIZE A	DWG NO 65L812TF2	SHT 2	REV
REV	DESCRIPTION	DATE	APPROVED



**GE CAPACITOR**

WITH INTERNAL DISCHARGE RESISTORS

CAT 65L812TF2 SN  
17.5 KVAR 600V 60HZ 3PH

CONTAINS 0.15 GAL. COMBUSTIBLE LIQUID WITH LESS THAN ONE PART PER MILLION PCB ON MFG DATE MM/YYYY  
CAUTION! BEFORE INSTALLING OR OPERATING READ GEH-2738

NP267203 FORT EDWARD, N.Y. MADE IN U.S.A.

TOL	+/-
A	.06
B	.12
C	.18
D	.25

**INDUSTRIAL SYSTEMS**  
FORT EDWARD, N.Y., U.S.A.

DRAWN B.Ross DATE 5/13/2003

ISSUED DATE 5/14/2003

SIZE  
A

SCALE

OUTLINE  
65L812TF2

SHEET 2 CONT ON -

DISTR. TO