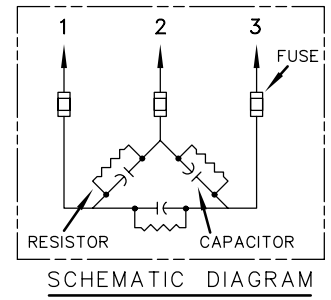
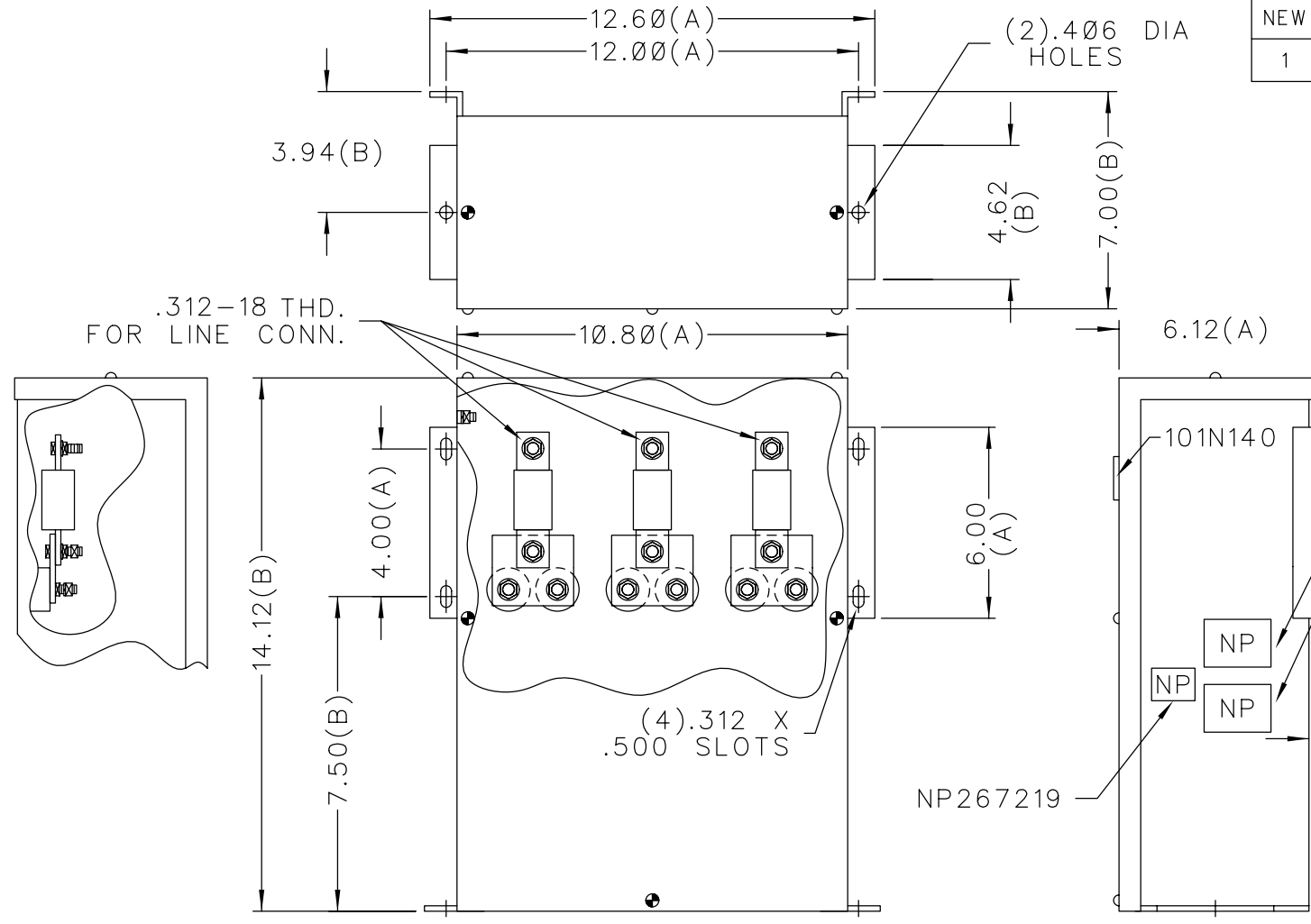


SIZE A	DWG NO. 65L812TN1	SH 2	REV
NEW	01/24/91		
1	ADD NP 101N140	DATE 10/20/93	



101N140
101N17E
NP267203

TOL	+/-
A	.06
B	.12
C	.18
D	.25

CAT 65L812TN1 SN
17.5 KVAR 240V 60HZ 3PH
0.33 GAL
MFG DATE
READ GEH-2738

NP267203

<p>CAPACITOR & POWER PROTECTION FORT EDWARD, N.Y., U.S.A.</p>	SIZE A	EST. WT. 22 Lbs.	<p>OUTLINE 65L812TN1</p>	DISTR TO	
	DRAWN 01/02/91	SCALE			SHEET 2
	ISSUED 01/24/91				