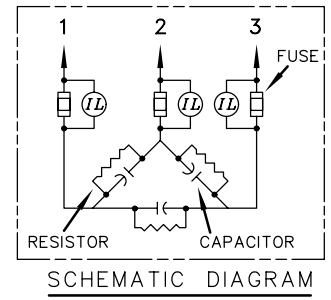
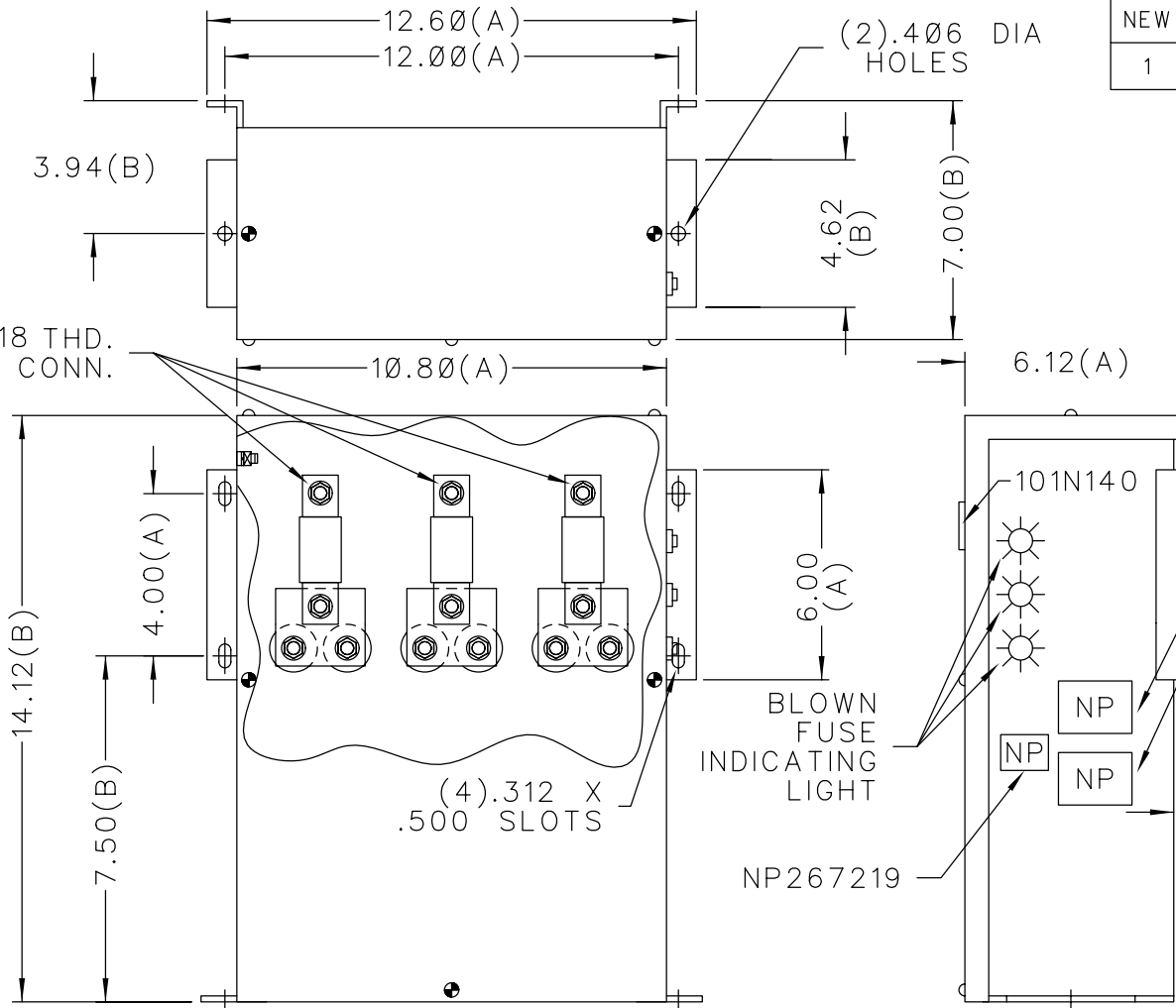



SIZE A	DWG NO. 65L812TQ1	SH 2	REV
NEW	01/24/91		
1	ADD NP 101N140	DATE 10/20/93	



TOL	+/-
A	.06
B	.12
C	.18
D	.25

CAT 65L812TQ1 SN
 17.5 KVAR 240V 60HZ 3PH
 0.33 GAL
 MFG DATE
 READ GEH-2738
 NP267203

 **CAPACITOR & POWER PROTECTION**
 FORT EDWARD, N.Y., U.S.A.

DRAWN 01/02/91
 ISSUED 01/24/91

SIZE
A

EST. WT.
22 Lbs.

SCALE

OUTLINE
65L812TQ1

SHEET 2

DISTR TO