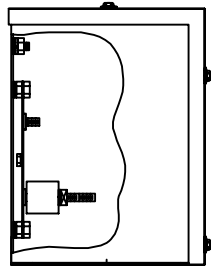
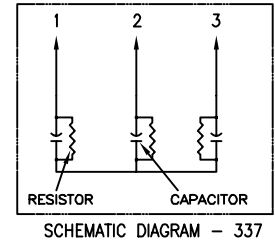
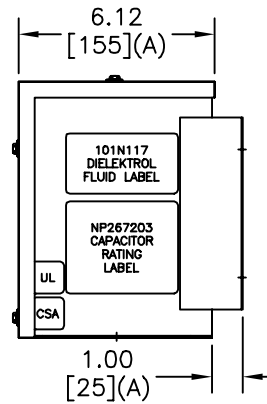
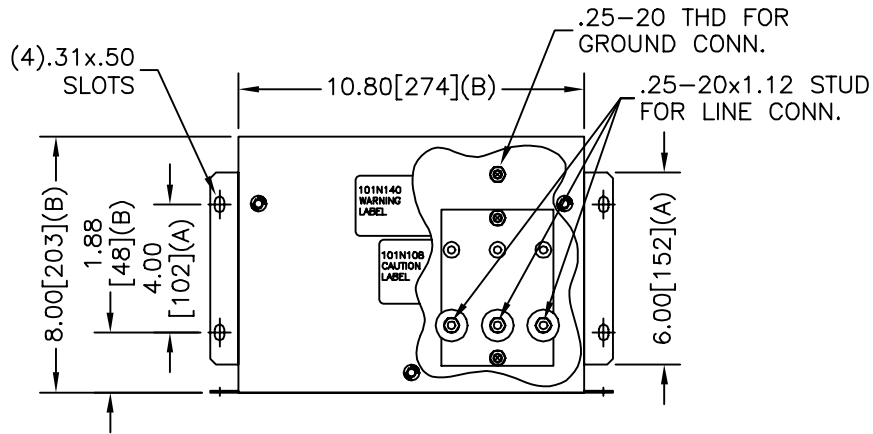
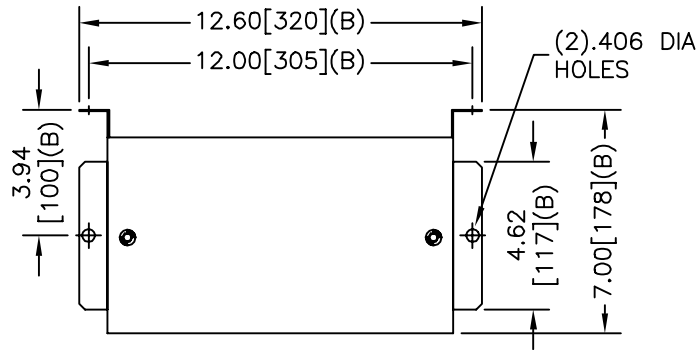


SIZE A	DWG NO 65L813TF2	SHT 2	REV
REV	DESCRIPTION	DATE	APPROVED



GE CAPACITOR

WITH INTERNAL DISCHARGE RESISTORS

CAT 65L813TF2 SN
20 KVAR 600V 60HZ 3PH

CONTAINS 0.16 GAL. COMBUSTIBLE LIQUID WITH LESS THAN ONE PART PER MILLION PCB ON MFG DATE MM/YYYY
CAUTION! BEFORE INSTALLING OR OPERATING READ GEH- 2738

NP267203 FORT EDWARD, N.Y. MADE IN U.S.A.

TOL	+/-
A	.06
B	.12
C	.18
D	.25

INDUSTRIAL SYSTEMS FORT EDWARD, N.Y., U.S.A.		SIZE A
DRAWN	B.Ross	DATE 5/13/2003
ISSUED		DATE 5/14/2003

SCALE	SIZE A	OUTLINE 65L813TF2	SHEET 2	CONT ON -
-------	------------------	------------------------------------	------------	--------------

DISTR. TO