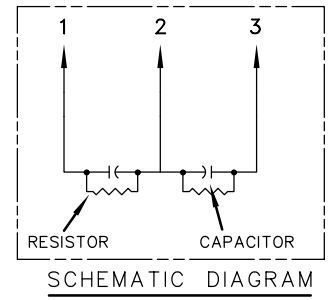
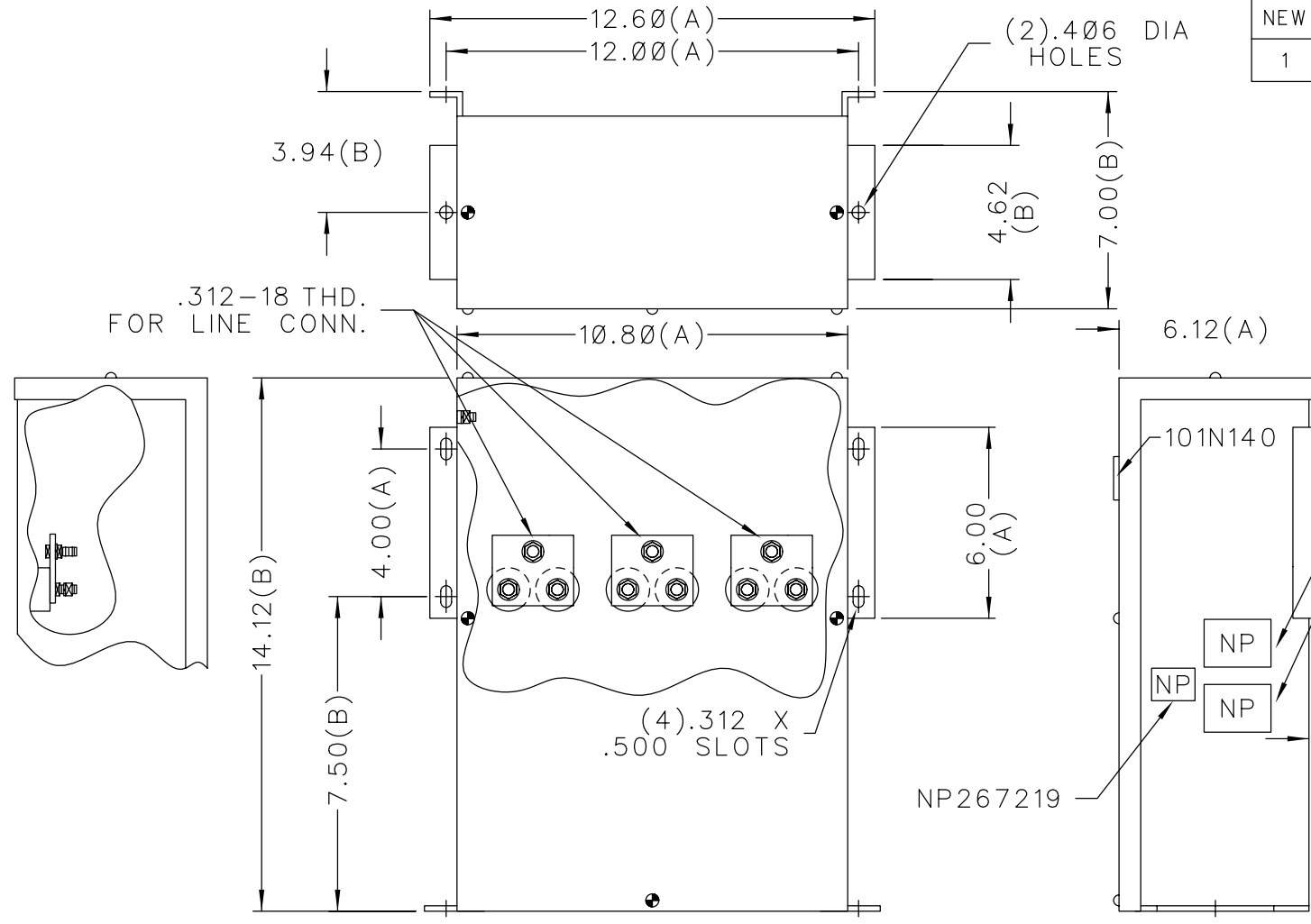



SIZE <b>A</b>	DWG NO. 65L813TX1	SH 2	REV
NEW	02/07/91		
1	ADD NP 101N140	DATE 10/20/93	



TOL	+/-
A	.06
B	.12
C	.18
D	.25

CAT 65L813TX1 SN  
 20 KVAR 240V 60HZ 1PH  
 0.27 GAL  
 MFG DATE  
 READ GEH-2738  
 NP267203

 CAPACITOR & POWER PROTECTION  
 FORT EDWARD, N.Y., U.S.A.

DRAWN 01/02/91  
 ISSUED 02/07/91

SIZE  
**A**

EST. WT.  
21 Lbs.

SCALE

**OUTLINE**  
**65L813TX1**

SHEET 2

DISTR TO