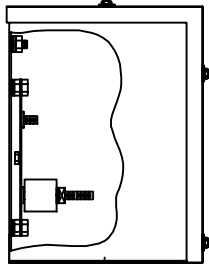
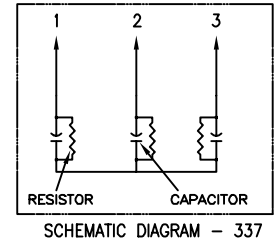
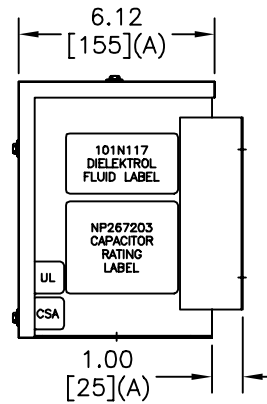
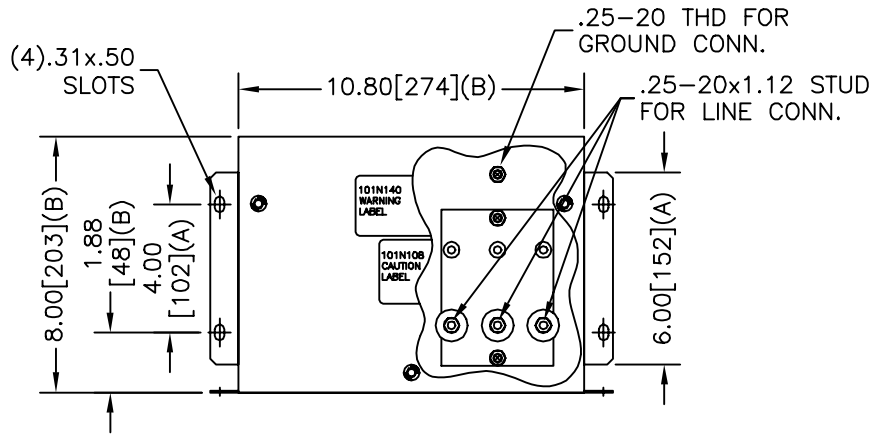
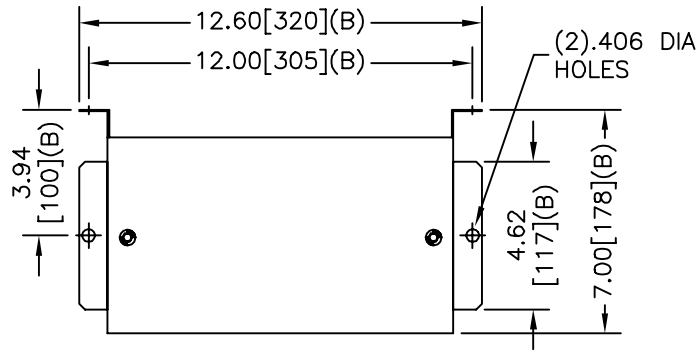


SIZE A	DWG NO 65L814TF2	SHT 2	REV
REV	DESCRIPTION	DATE	APPROVED



GE CAPACITOR

WITH INTERNAL DISCHARGE RESISTORS

CAT 65L814TF2 SN
22.5 KVAR 600V 60HZ 3PH

CONTAINS 0.14 GAL. COMBUSTIBLE LIQUID WITH LESS THAN ONE PART PER MILLION PCB ON MFG DATE MM/YYYY
CAUTION! BEFORE INSTALLING OR OPERATING READ GEH-2738

NP267203 FORT EDWARD, N.Y. MADE IN U.S.A.

TOL	+/-
A	.06
B	.12
C	.18
D	.25

INDUSTRIAL SYSTEMS FORT EDWARD, N.Y., U.S.A.		SIZE A
DRAWN B.Ross	DATE 5/13/2003	SCALE
ISSUED	DATE 5/14/2003	

OUTLINE
65L814TF2

SHEET 2 CONT ON -

DISTR. TO