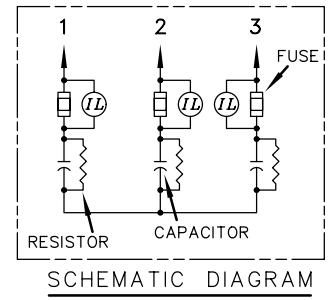
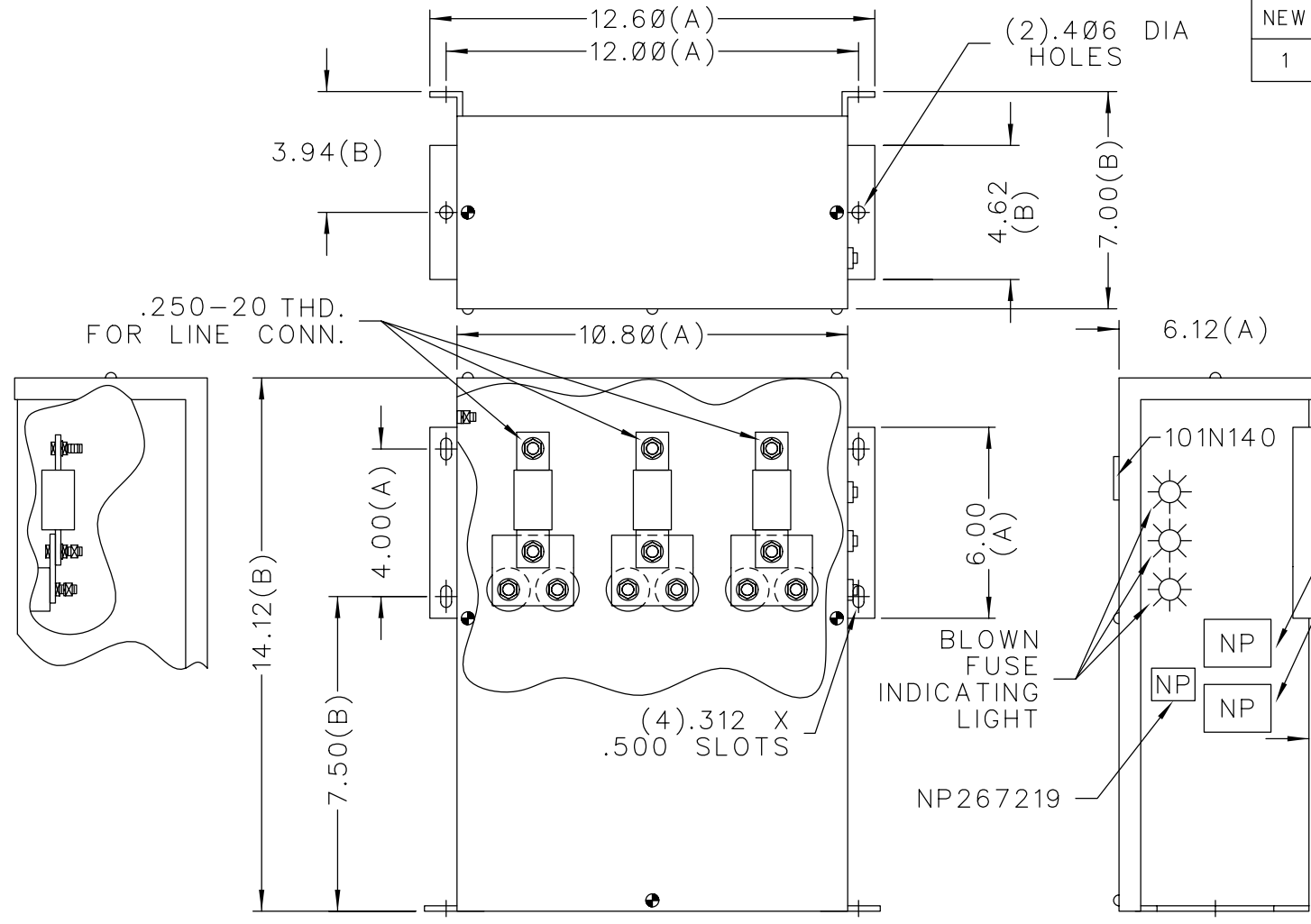


SIZE A	DWG NO. 65L815TK1	SH 2	REV
NEW	01/10/91		DATE
1	ADD NP 101N140	10/20/93	



TOL	+/-
A	.06
B	.12
C	.18
D	.25

CAT 65L815TK1 SN  
 25 KVAR 600V 60HZ 3PH  
 0.36 GAL  
 MFG DATE  
 READ GEH-2738  
 NP267203

CAPACITOR & POWER PROTECTION  
 FORT EDWARD, N.Y., U.S.A.

DRAWN 01/02/91  
 ISSUED 01/10/91

SIZE  
A

EST. WT.  
21 Lbs.

SCALE

OUTLINE  
65L815TK1

SHEET 2

DISTR TO