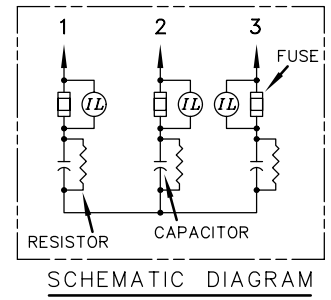
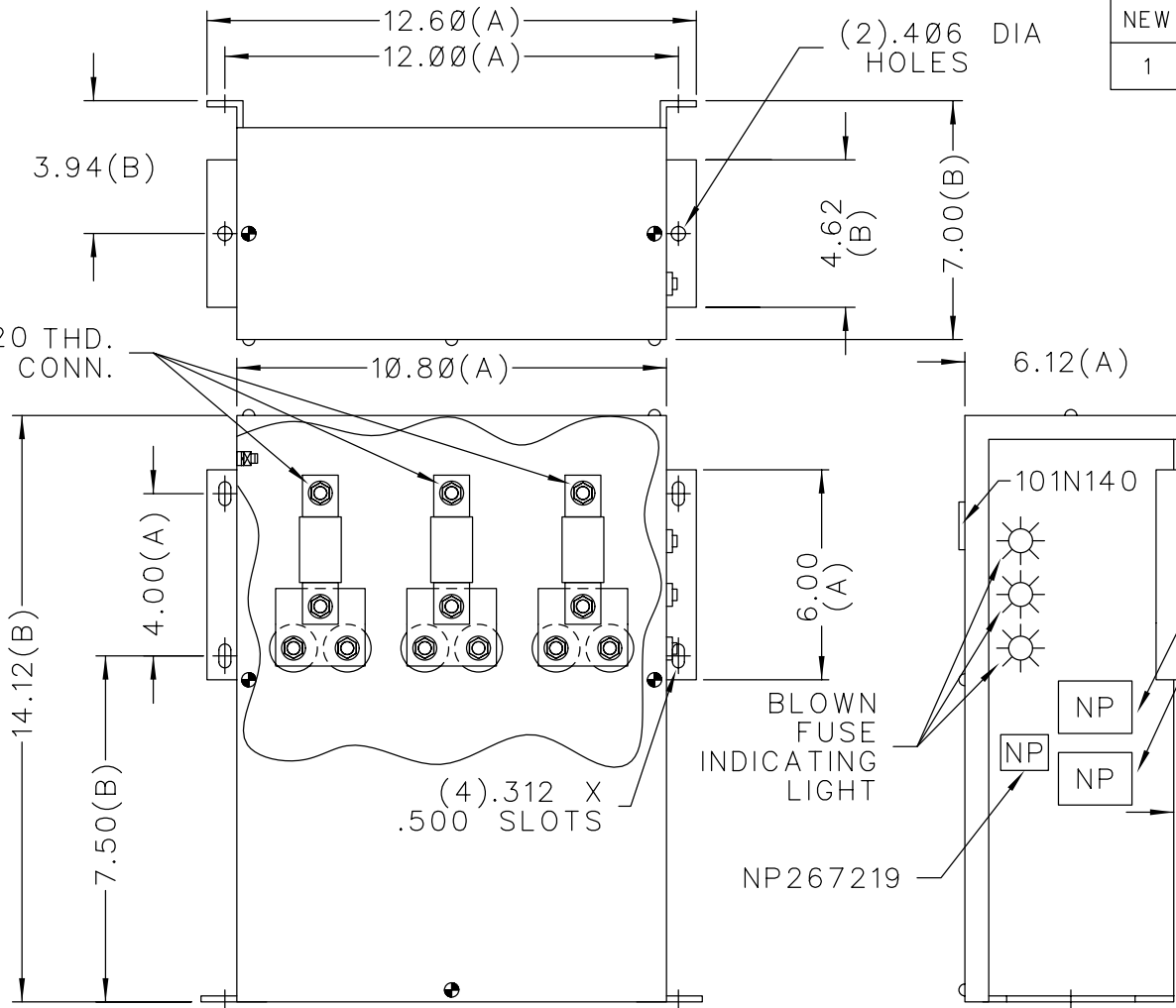


| | | | |
|------------------|----------------------|------------------|-----|
| SIZE A | DWG NO. 65L816TK1 | SH 2 | REV |
| NEW | 01/10/91 | | |
| 1 | ADD NP 101N140 | DATE 10/20/93 | |



| TOL | +/- |
|-----|-----|
| A | .06 |
| B | .12 |
| C | .18 |
| D | .25 |

CAT 65L816TK1 SN
 27.5 KVAR 600V 60HZ 3PH
 0.32 GAL
 MFG DATE
 READ GEH-2738
 NP267203

CAPACITOR & POWER PROTECTION
 FORT EDWARD, N.Y., U.S.A.

DRAWN 01/02/91
 ISSUED 01/10/91

SIZE
A

EST. WT.
21 Lbs.

SCALE

OUTLINE
65L816TK1

SHEET 2

DISTR TO