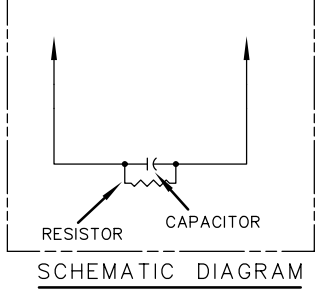
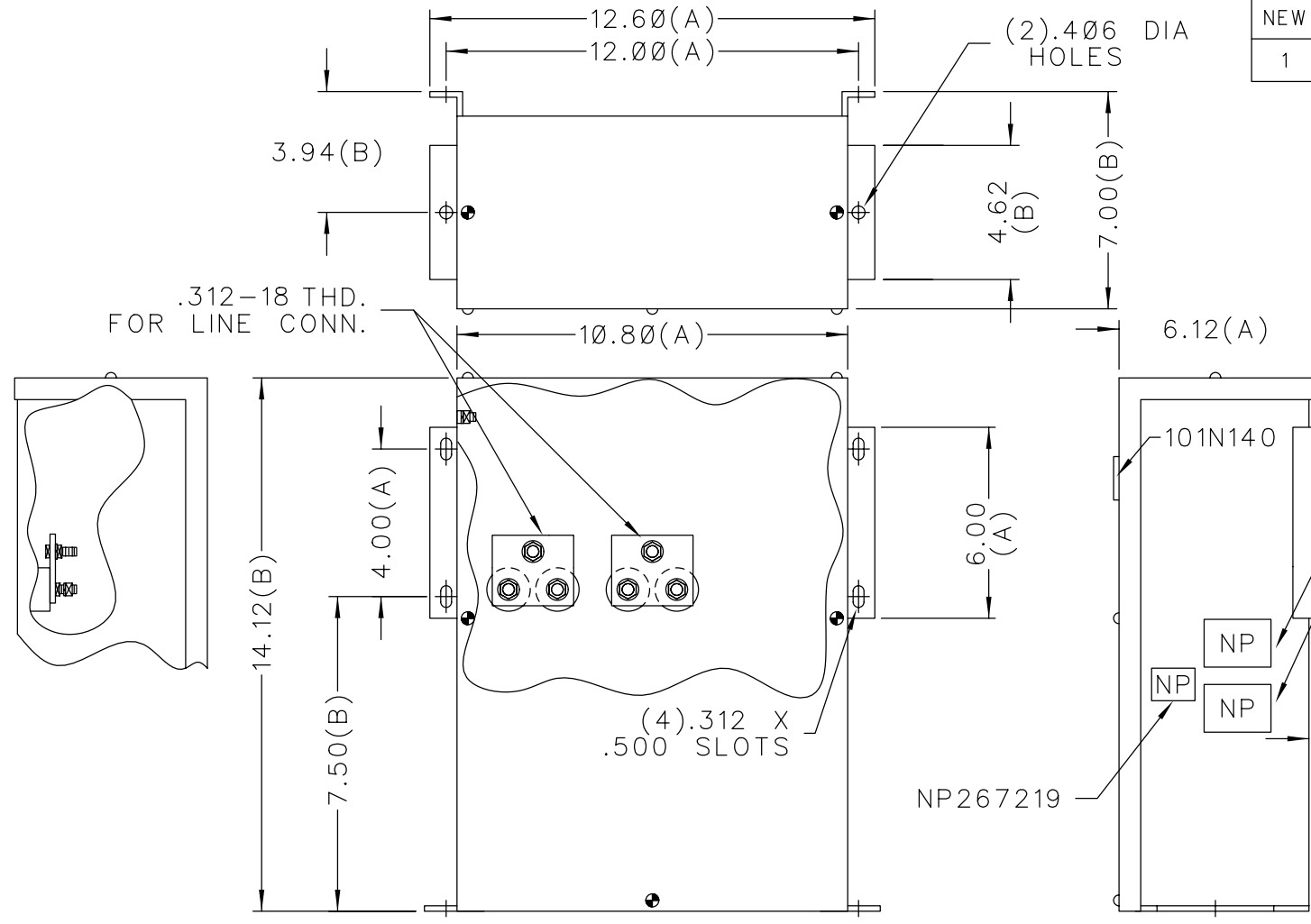



SIZE A	DWG NO. 65L816TR1	SH 2	REV
NEW	01/31/91		
1	ADD NP 101N140	DATE 10/20/93	



TOL	+/-
A	.06
B	.12
C	.18
D	.25

CAT 65L816TR1 SN
 27.5 KVAR 480V 60HZ 1PH
 0.27 GAL
 MFG DATE
 READ GEH-2738

NP267203

 **CAPACITOR & POWER PROTECTION**
 FORT EDWARD, N.Y., U.S.A.

DRAWN 01/02/91

ISSUED 01/31/91

SIZE
A

EST. WT.
18 Lbs.

SCALE

OUTLINE
65L816TR1

SHEET 2

DISTR TO