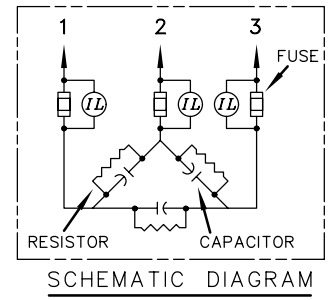
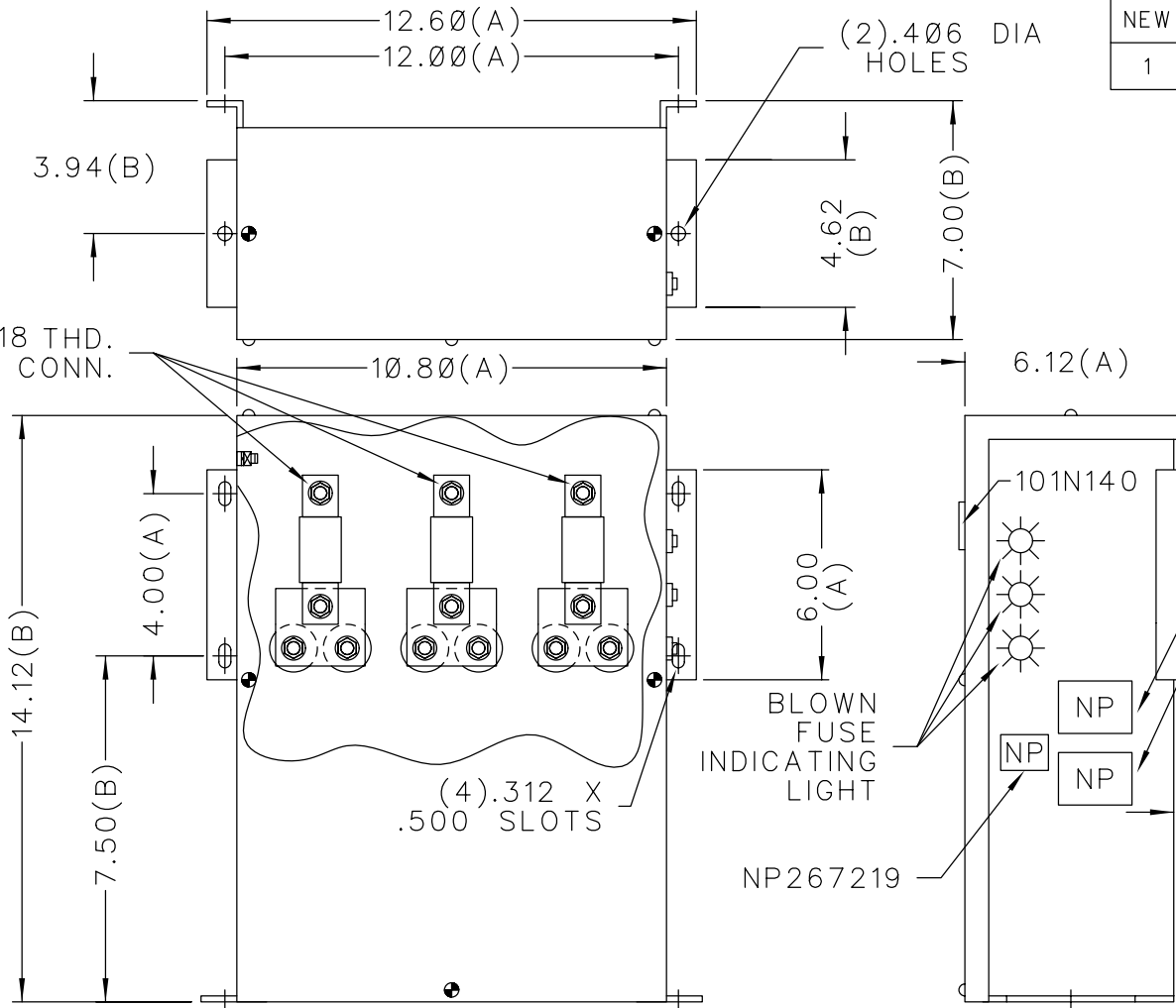


| | | | |
|------------------|----------------------|------------------|-----|
| SIZE A | DWG NO. 65L819TE1 | SH 2 | REV |
| NEW | 01/14/91 | | |
| 1 | ADD NP 101N140 | DATE 10/20/93 | |



| TOL | +/- |
|-----|-----|
| A | .06 |
| B | .12 |
| C | .18 |
| D | .25 |

CAT 65L819TE1 SN
 35 KVAR 480V 60HZ 3PH
 0.19 GAL
 MFG DATE
 READ GEH-2738
 NP267203

CAPACITOR & POWER PROTECTION
 FORT EDWARD, N.Y., U.S.A.

DRAWN 01/02/91
 ISSUED 01/14/91

SIZE
A

EST. WT.
19 Lbs.

SCALE

OUTLINE
65L819TE1

SHEET 2

DISTR TO