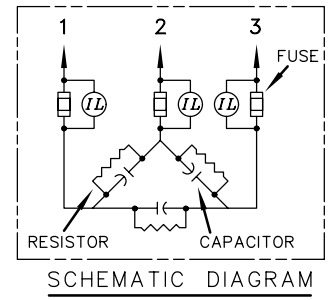
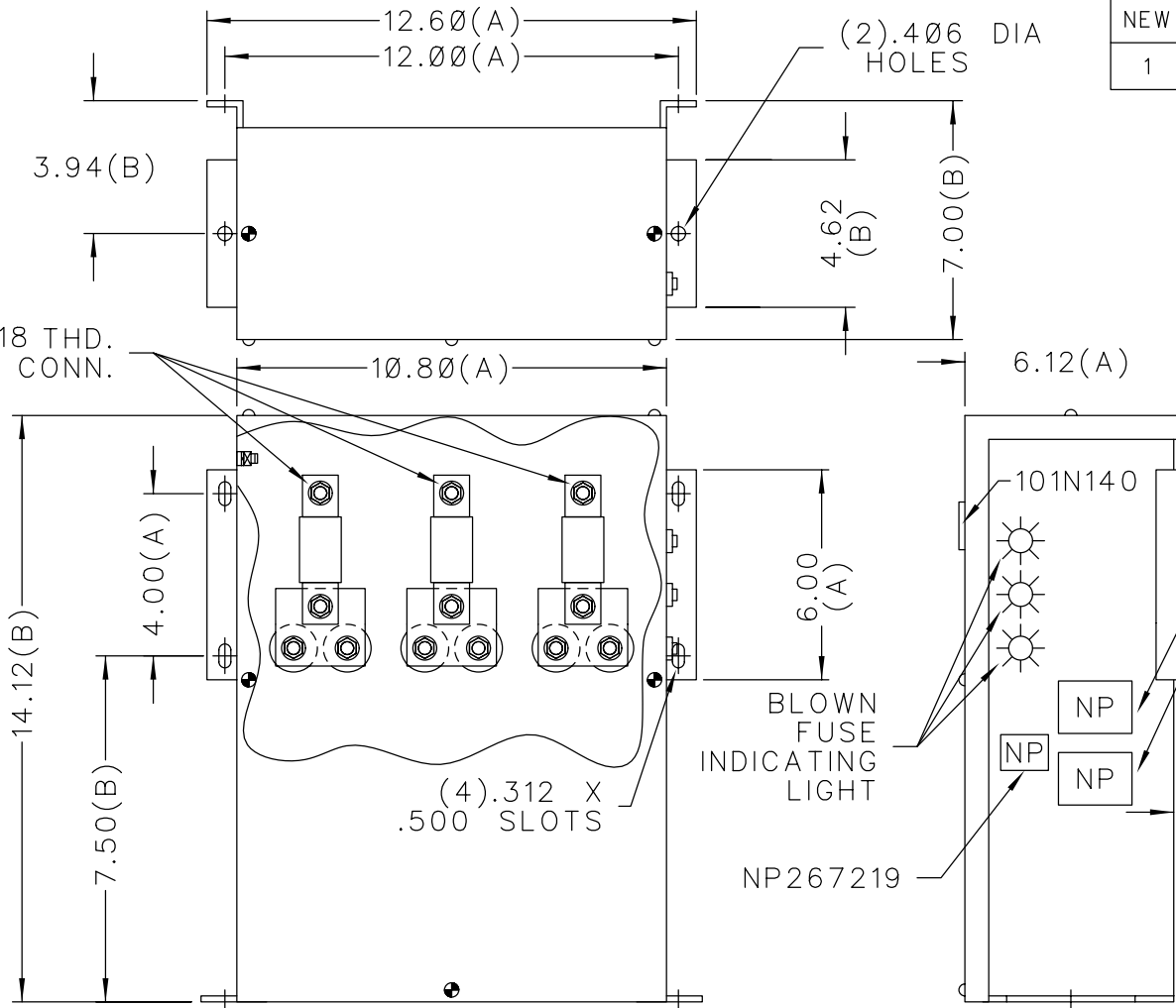


SIZE <b>A</b>	DWG NO. 65L825TE1	SH 2	REV
NEW	01/14/91		
1	ADD NP 101N140	DATE 10/20/93	



TOL	+/-
A	.06
B	.12
C	.18
D	.25

CAT 65L825TE1 SN  
 50 KVAR 480V 60HZ 3PH  
 0.21 GAL  
 MFG DATE  
 READ GEH-2738  
 NP267203

CAPACITOR & POWER PROTECTION  
 FORT EDWARD, N.Y., U.S.A.

DRAWN 01/02/91  
 ISSUED 01/14/91

SIZE  
**A**

EST. WT.  
22 Lbs.

SCALE

**OUTLINE**  
**65L825TE1**

SHEET 2

DISTR TO