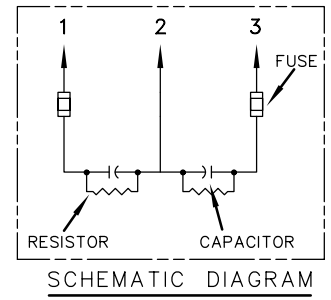
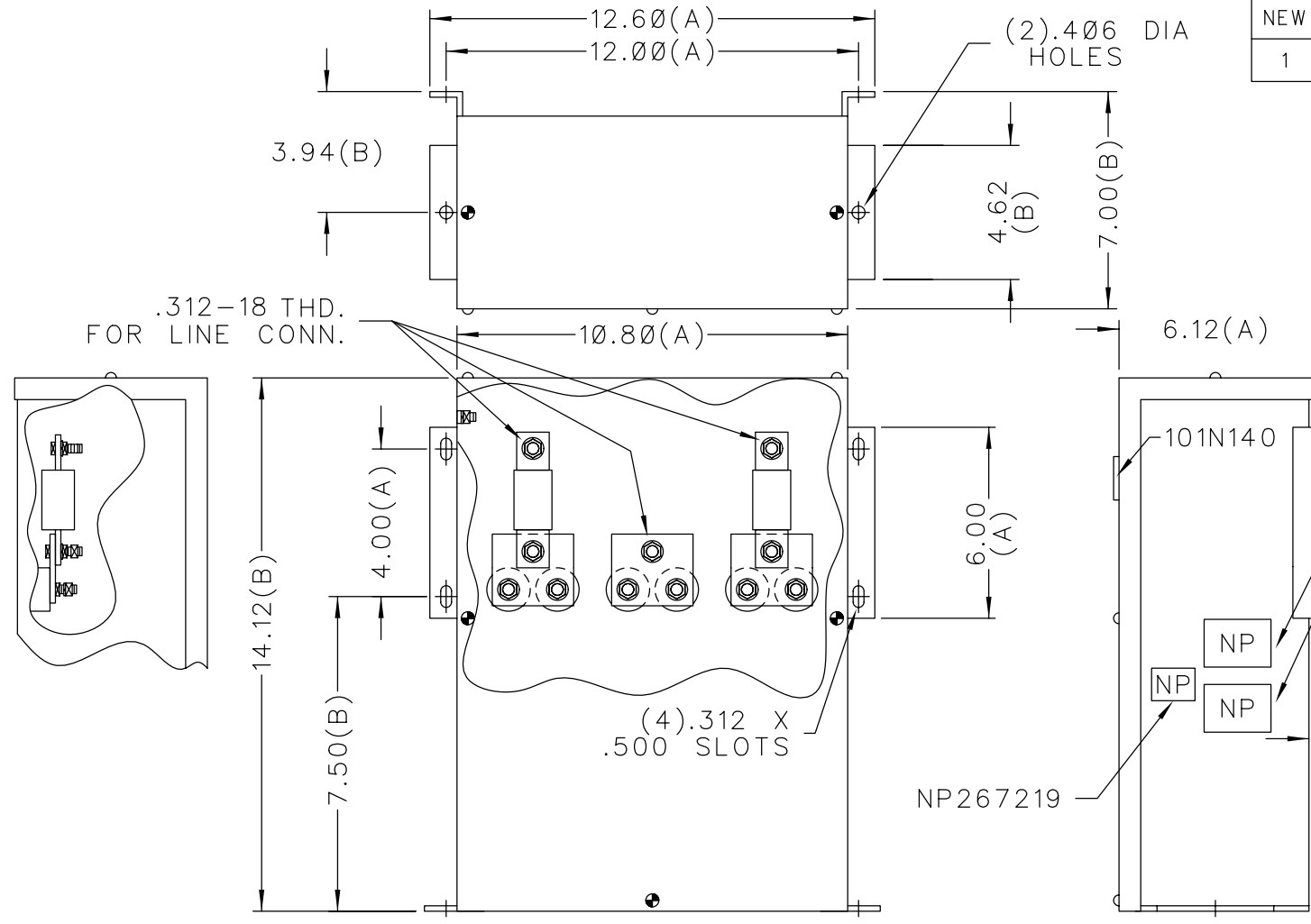


SIZE A	DWG NO. 65L825TS1	SH 2	REV
NEW	01/31/91		
1	ADD NP 101N140	DATE 10/20/93	



TOL	+/-
A	.06
B	.12
C	.18
D	.25

CAT 65L825TS1 SN
 50 KVAR 480V 60HZ 1PH
 0.21 GAL
 MFG DATE
 READ GEH-2738

NP267203

CAPACITOR & POWER PROTECTION
 FORT EDWARD, N.Y., U.S.A.

DRAWN 01/02/91

ISSUED 01/31/91

SIZE **A**
 EST. WT.
 21 Lbs.

SCALE

OUTLINE
65L825TS1

SHEET 2

DISTR TO