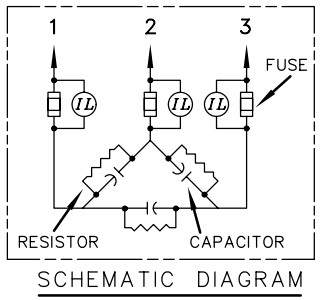


LINE TERM FOR 250MCM-6



TOL	+/-
A	.06
B	.12
C	.18
D	.25

CAT 65L833TC1 SN  
 90 KVAR 480V 60HZ 3PH  
 0.53 GAL  
 MFG DATE  
 READ GEH-2738  
 NP267203

<p>CAPACITOR &amp; POWER PROTECTION OPERATION                  LOCATION: FORT EDWARD, N.Y., U.S.A.</p>	SIZE <b>A</b>	EST. WT. 38 Lbs.	<h1>OUTLINE</h1> <h2>65L833TC1</h2>	DISTR TO
	DRAWN 01/02/91 ISSUED 01/14/91	SCALE		