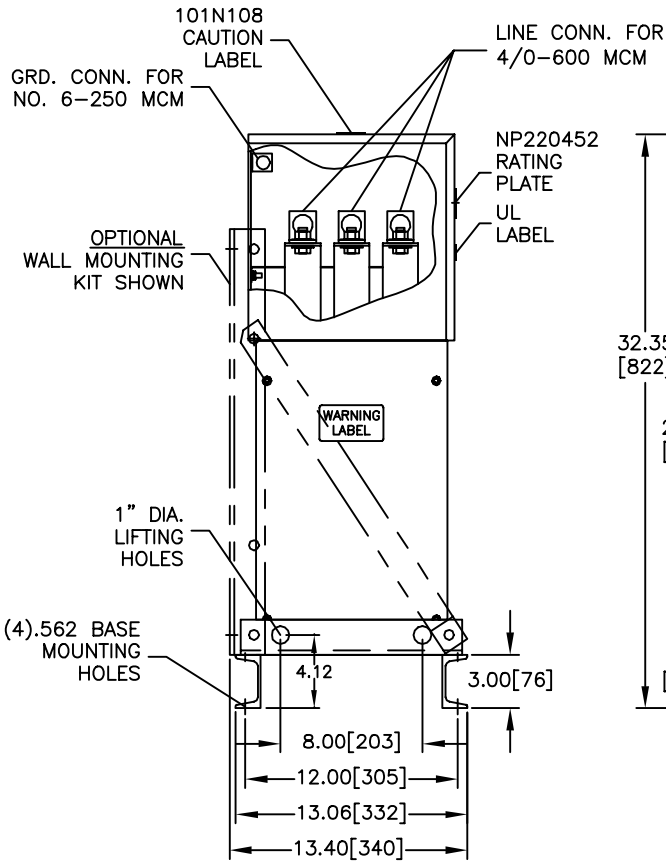
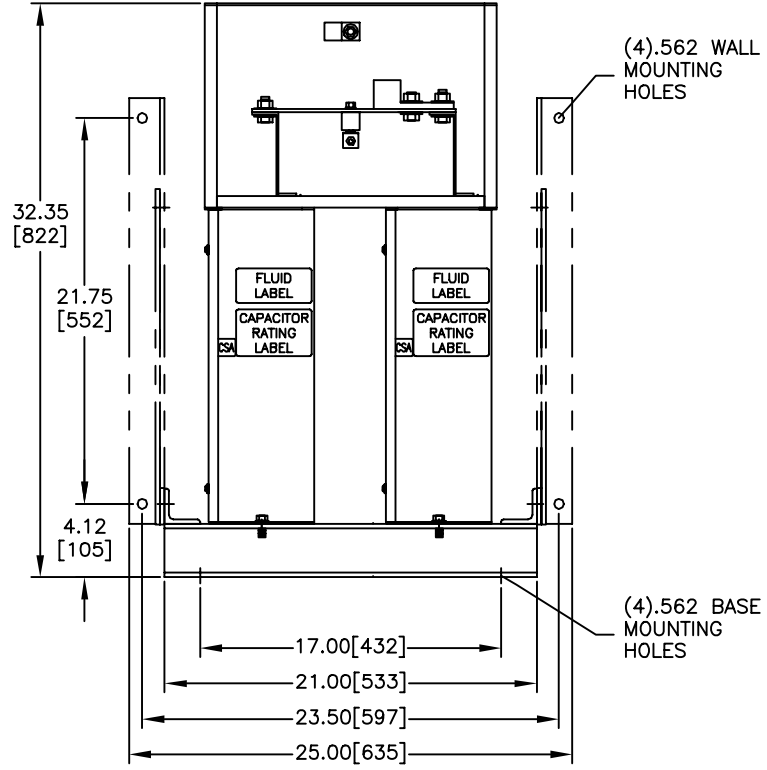


SIZE A	DWG NO 65L904TL3	SHT 2	REV
REV	DESCRIPTION	DATE	APPROVED



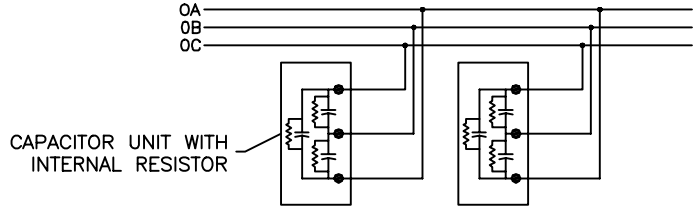
FRONT VIEW
SHOWN WITH TOP/FRONT COVER REMOVED



CAPACITOR

CAT. 65L904TL3 SER.NO.
 kVAR 55 60 Hz 3 Ph
 VOLT. 240 CONN. DELTA
 DIAG. 186C3233EM

CAUTION BEFORE INSTALLING OR OPERATING READ INST. 2738
 CAPACITOR UNITS CONTAIN CLASS III B COMBUSTIBLE LIQUID.
 CAPACITOR UNITS INCLUDE INTERNAL DISCHARGE RESISTORS.
 NP220452 FORT EDWARD, N.Y. MADE IN U.S.A.



CONNECTION DIAGRAM

INDUSTRIAL SYSTEMS FORT EDWARD, N.Y., U.S.A.	SIZE A	EST. WEIGHT: 87	<h1 style="margin: 0;">OUTLINE</h1> <h1 style="margin: 0;">65L904TL3</h1>
	DRAWN A.COZZENS DATE 7/10/2003	SCALE	
ISSUED	DATE 7/16/2003	SHEET 2	CONT ON -

DISTR. TO