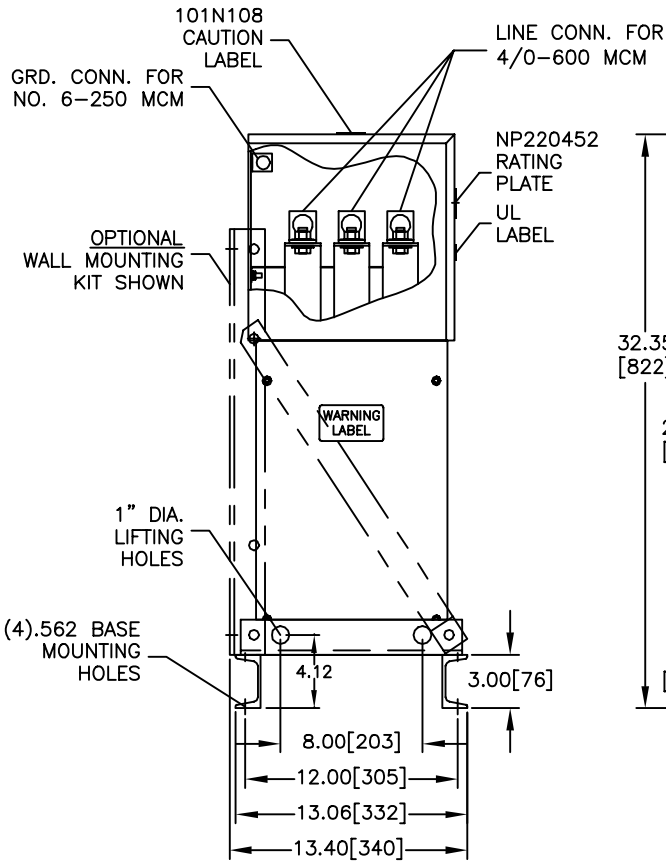
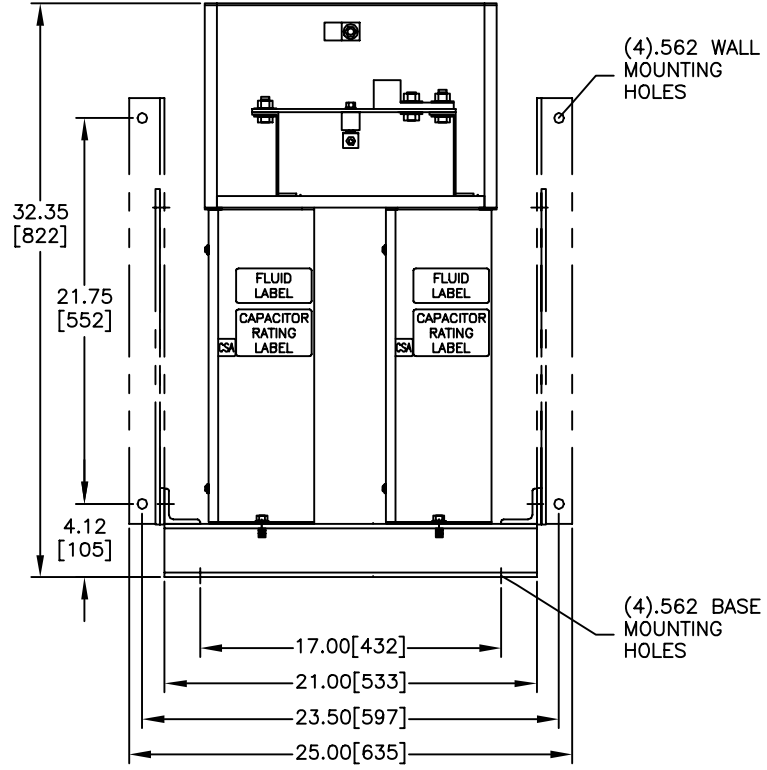


SIZE A	DWG NO 65L905TL3	SHT 2	REV
REV	DESCRIPTION	DATE	APPROVED



FRONT VIEW
SHOWN WITH TOP/FRONT COVER REMOVED

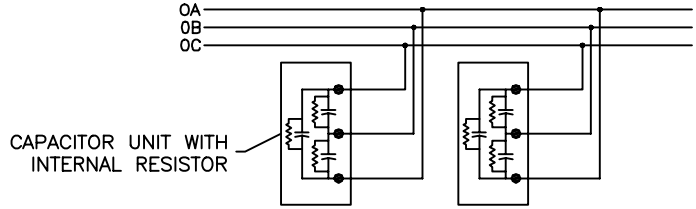


CAPACITOR

CAT. 65L905TL3 SER.NO.
 kVAR 60 60 Hz 3 Ph
 VOLT. 240 CONN. DELTA
 DIAG. 186C3233EM

CAUTION! BEFORE INSTALLING OR OPERATING READ INST. 2738

CAPACITOR UNITS CONTAIN CLASS III B COMBUSTIBLE LIQUID.
 CAPACITOR UNITS INCLUDE INTERNAL DISCHARGE RESISTORS.
 NP220452 FORT EDWARD, N.Y. MADE IN U.S.A.



CONNECTION DIAGRAM

INDUSTRIAL SYSTEMS FORT EDWARD, N.Y., U.S.A.	SIZE A	EST. WEIGHT: 87	<h1 style="margin: 0;">OUTLINE</h1> <h2 style="margin: 0;">65L905TL3</h2>
	DRAWN A.COZZENS DATE 7/10/2003	SCALE	
ISSUED	DATE 7/16/2003	SHEET 2	CONT ON -

DISTR. TO