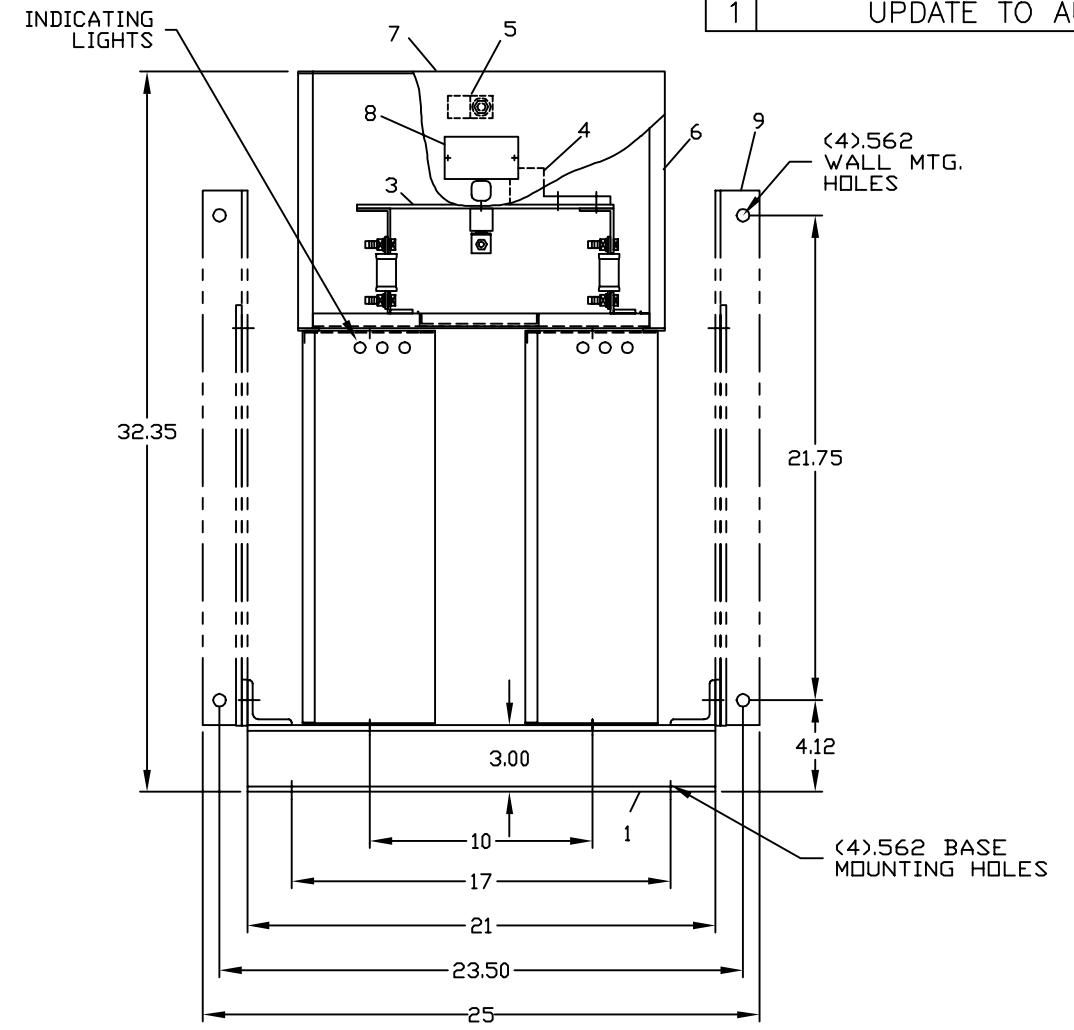
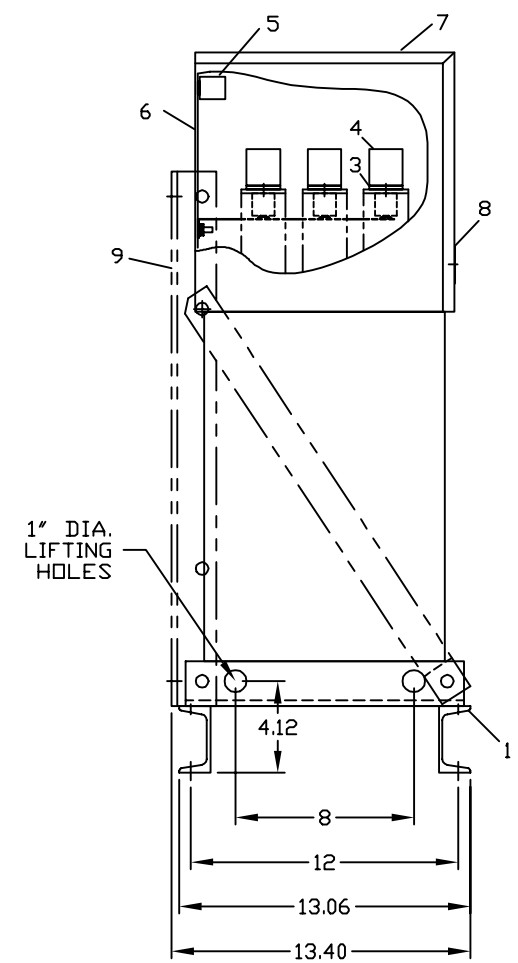
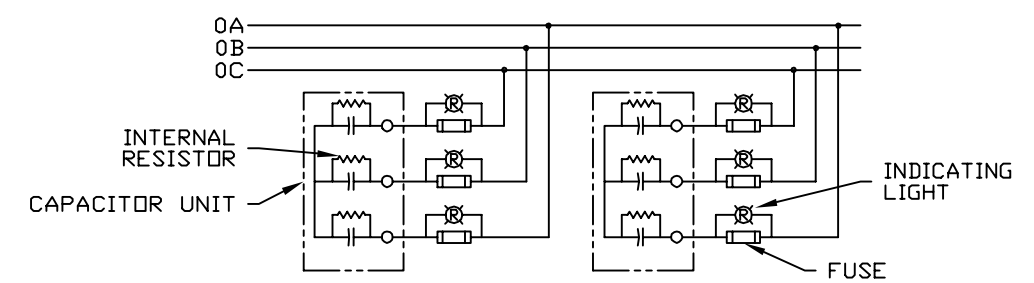


REVISIONS			
REV	DESCRIPTION	DATE	APPROVED
1	UPDATE TO AUTOCAD		KS



- NOMENCLATURE**
1. ALUMINUM BASE FRAME
  2. CAPACITOR UNIT
  3. COPPER BUS BARS
  4. LINE TERMINAL - #4/0 TO 600 MCM
  5. GROUND TERMINAL - #6AWG TO 250 MCM
  6. BUS ENCLOSURE
  7. ACCESS COVER
  8. RATING NAMEPLATE
  9. OPTIONAL FIELD ASSEMBLED WALL MTG. FRAME



CONNECTION DIAGRAM

SIGNATURES		DATE		<b>INDUSTRIAL SYSTEMS</b> <b>FORT EDWARD, N.Y., U.S.A.</b>	
DRAWN E.McGINN		9/18/92			
CHECKED					
ENGR					
ISSUED		9/30/93		OUTLINE <b>65L906TK2</b>	
CAD SYS. NO.		SIZE C	FSCM NO.	DWG NO. 65L906TK2	REV 1
AUTOCAD		SCALE	SHEET	CONT ON SHT	DISTR TO

CAT 65L906TK2 SERNO  
 KVAR 65 60Hz 3ph  
 VOLT 600 DIAG 186C3233EA  
 CONN Y-CONN

Read instructions: GEH-2728