

4

3

2

C

SIZE DWG NO.

SHT

REV

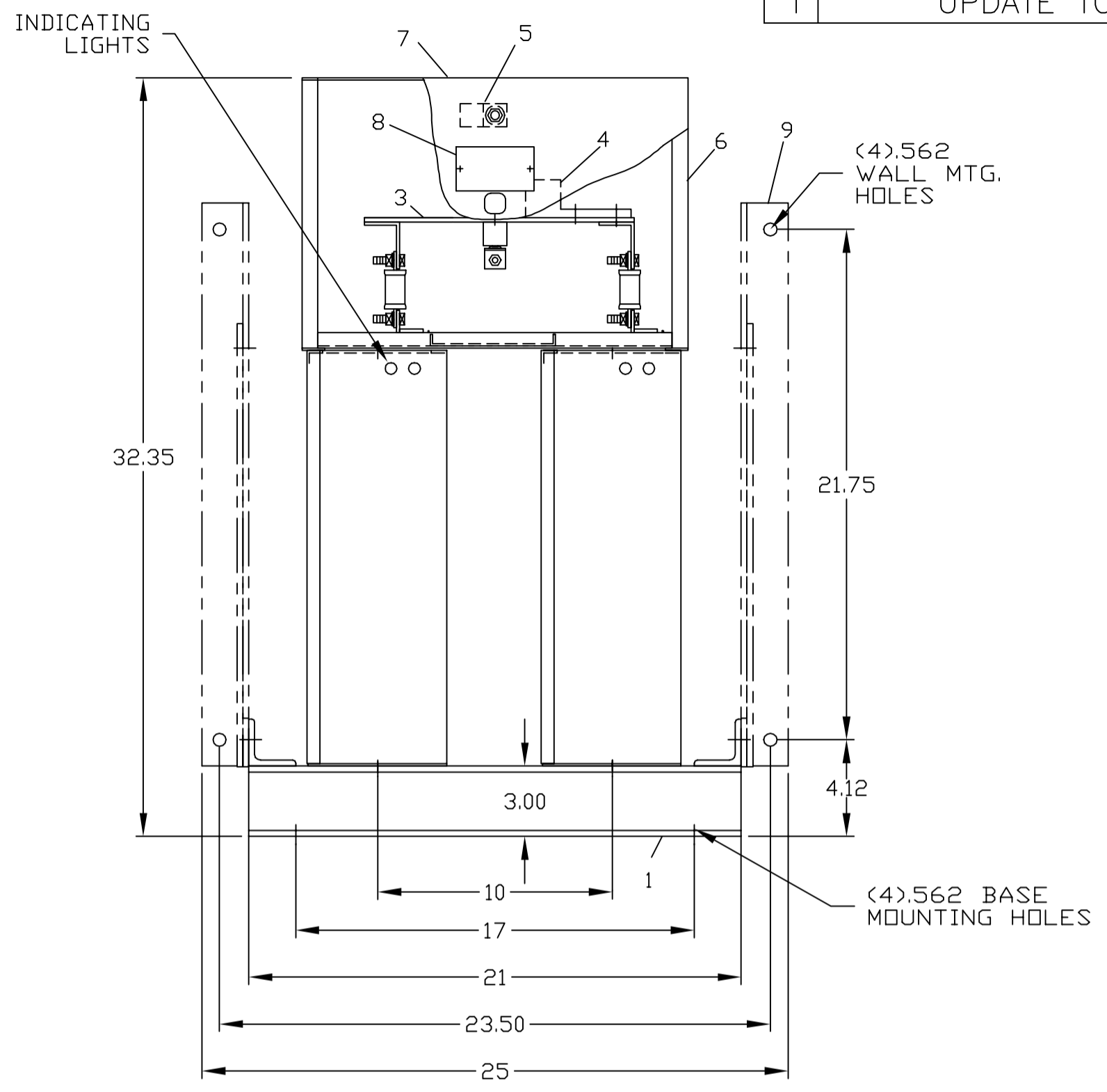
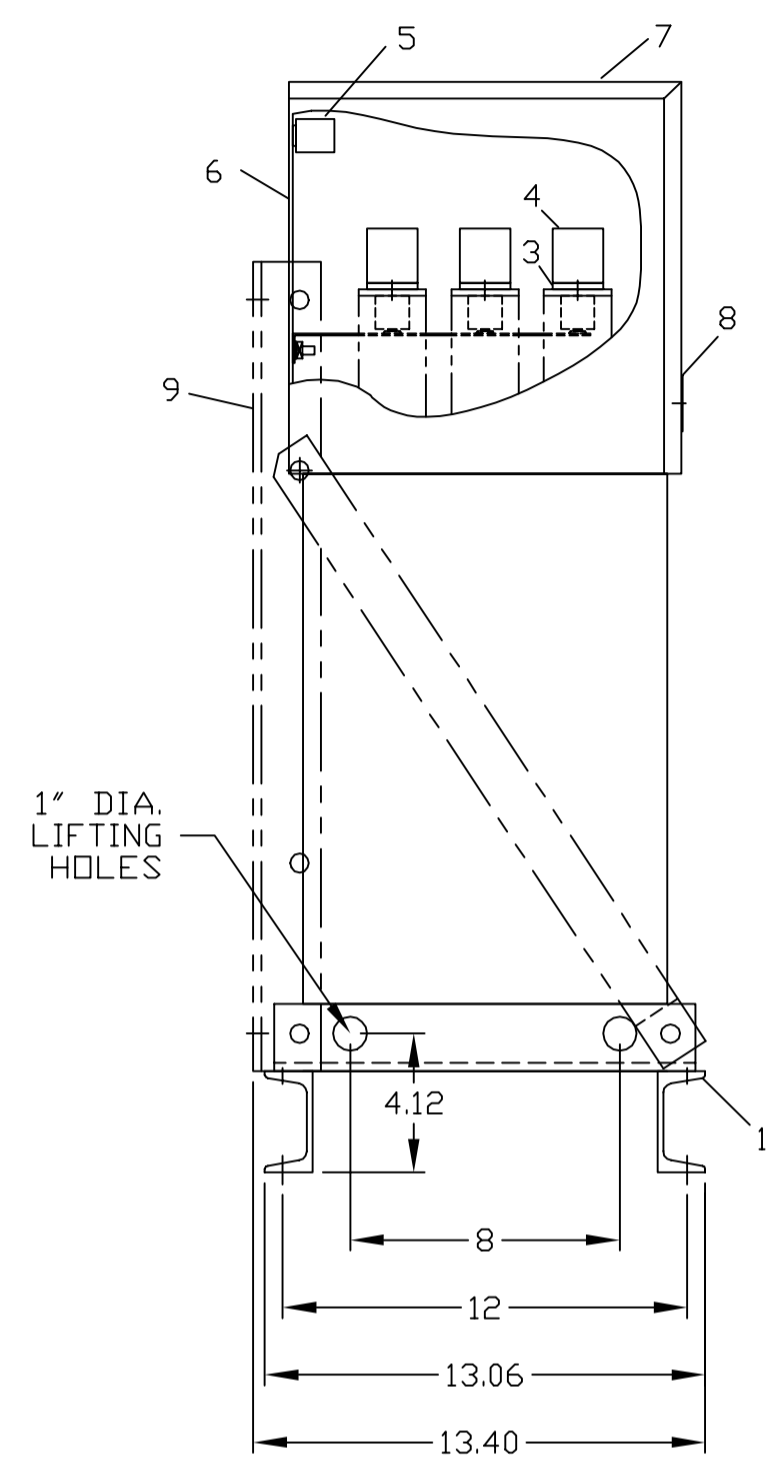
1

1

65L906TZ2

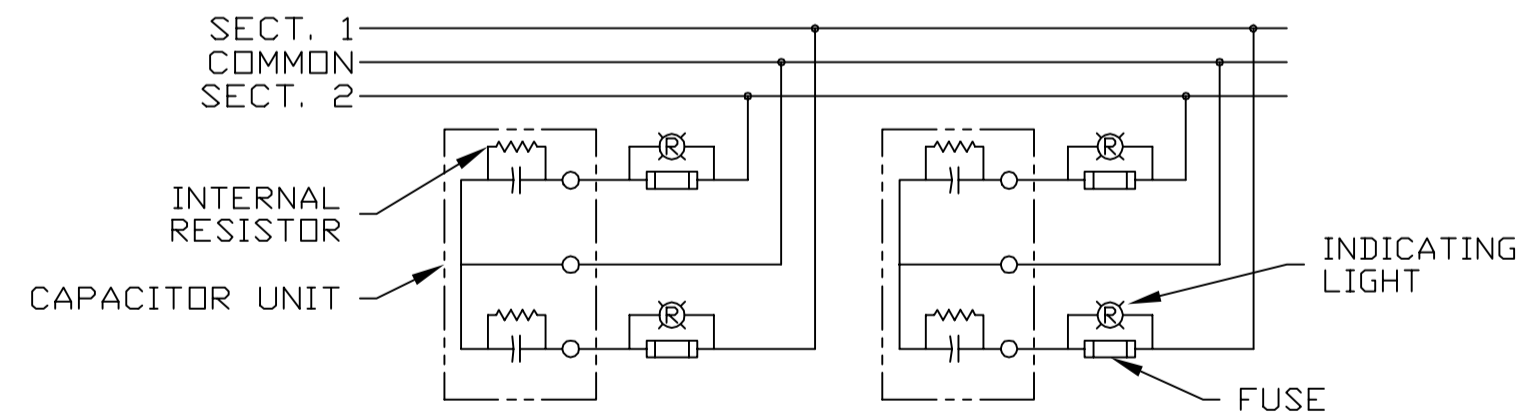
REVISIONS

| REV | DESCRIPTION | DATE | APPROVED |
|-----|-------------------|------|----------|
| 1 | UPDATE TO AUTOCAD | | KS |



NOMENCLATURE

- 1. ALUMINUM BASE FRAME
- 2. CAPACITOR UNIT
- 3. COPPER BUS BARS
- 4. LINE TERMINAL - #4/0 TO 600 MCM
- 5. GROUND TERMINAL - #6AWG TO 250 MCM
- 6. BUS ENCLOSURE
- 7. ACCESS COVER
- 8. RATING NAMEPLATE
- 9. OPTIONAL FIELD ASSEMBLED WALL MTG. FRAME



CONNECTION DIAGRAM

CAT 65L906TZ2 SERNO
 KVAR 65 60Hz 1ph
 VOLT 240 DIAG 186C3233EG
 CONN COM CTR
 Read instructions: GEH-2728

| SIGNATURES | DATE |
|----------------|---------|
| DRAWN E.McGINN | 9/24/92 |
| CHECKED | |
| ENGR | |
| ISSUED | 9/30/93 |
| CAD SYS. NO. | |
| AUTOCAD | |



INDUSTRIAL SYSTEMS
FORT EDWARD, N.Y., U.S.A.

OUTLINE
65L906TZ2

FIRST MADE FOR:

| SIZE | FSCM NO. | DWG NO. | REV |
|-------|----------|-----------|-------------|
| C | | 65L906TZ2 | 1 |
| SCALE | | SHEET | CONT ON SHT |

413
DISTR TO