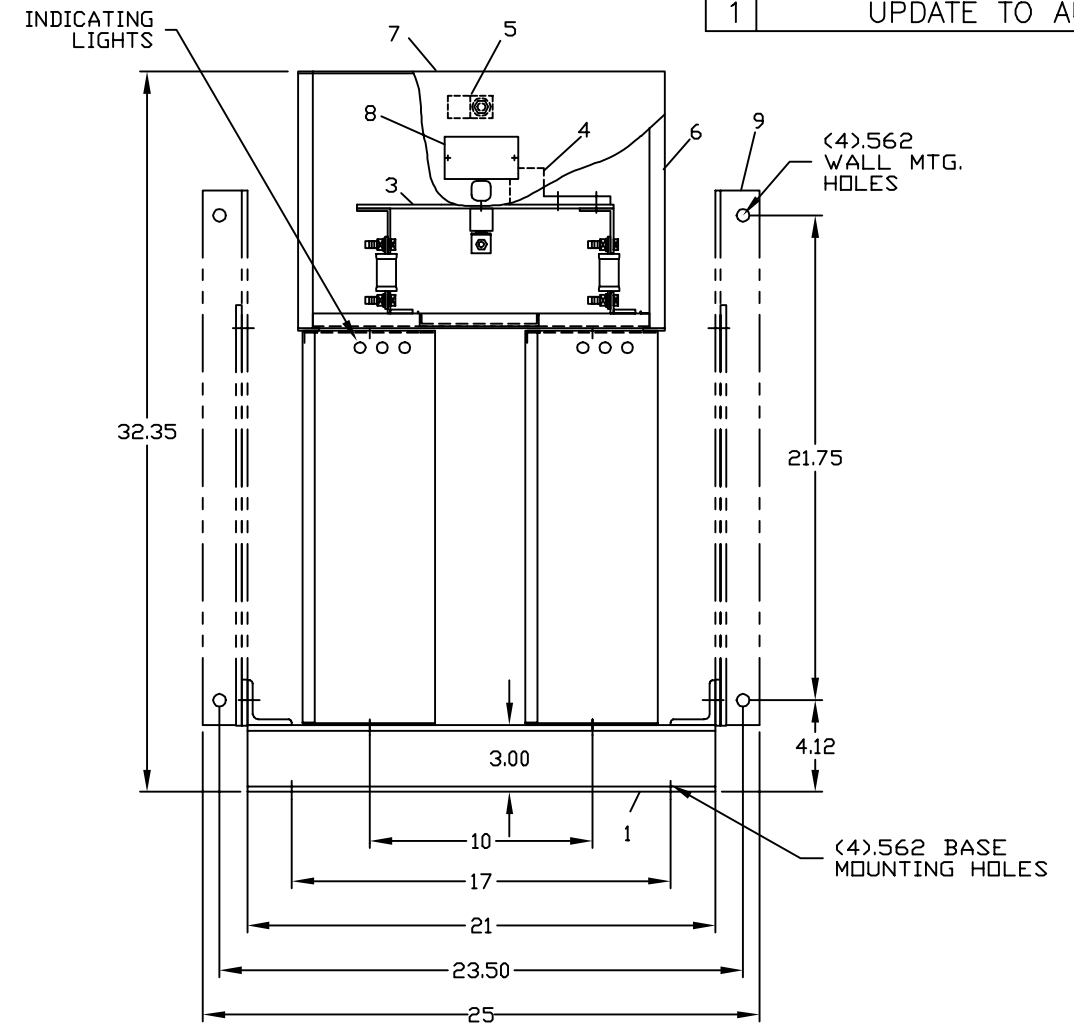
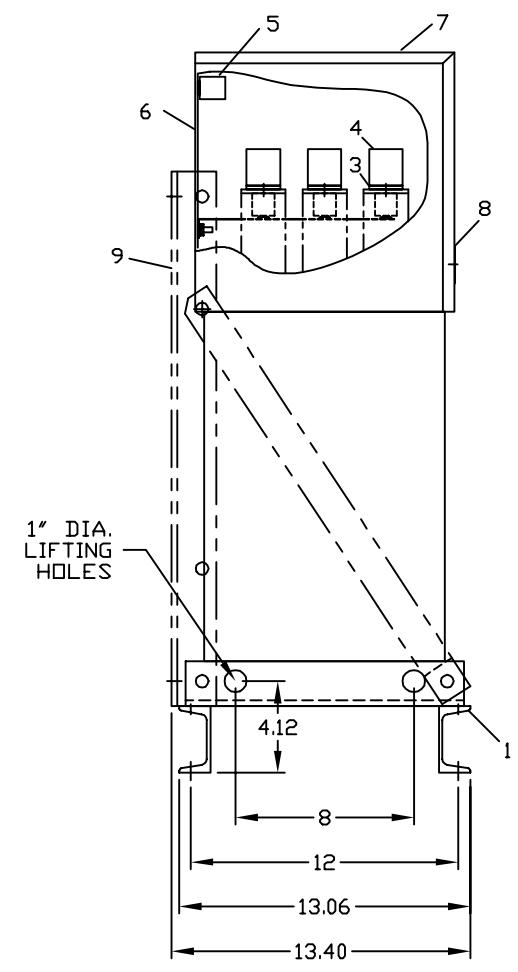
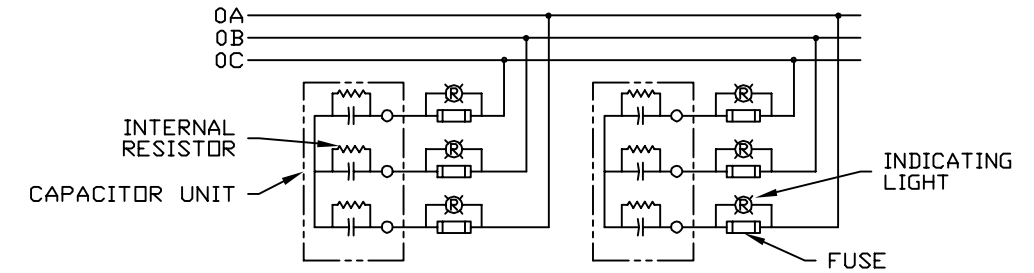


REVISIONS			
REV	DESCRIPTION	DATE	APPROVED
1	UPDATE TO AUTOCAD		KS



- NOMENCLATURE**
1. ALUMINUM BASE FRAME
 2. CAPACITOR UNIT
 3. COPPER BUS BARS
 4. LINE TERMINAL - #4/0 TO 600 MCM
 5. GROUND TERMINAL - #6AWG TO 250 MCM
 6. BUS ENCLOSURE
 7. ACCESS COVER
 8. RATING NAMEPLATE
 9. OPTIONAL FIELD ASSEMBLED WALL MTG. FRAME



CONNECTION DIAGRAM

SIGNATURES		DATE		INDUSTRIAL SYSTEMS FORT EDWARD, N.Y., U.S.A.	
DRAWN E.McGINN		9/18/92			
CHECKED					
ENGR					
ISSUED		9/30/93		OUTLINE 65L907TK2	
CAD SYS. NO.					
AUTOCAD					
FIRST MADE FOR:		SIZE C	FSCM NO.	DWG NO. 65L907TK2	REV 1
		SCALE	SHEET	CONT ON SHT	DISTR TO

CAT 65L907TK2 SERNO
 KVAR 70 60Hz 3ph
 VOLT 600 DIAG 186C3233EA
 CONN Y-CONN

Read instructions: GEH-2728

413