

4

3

2

C

SIZE DWG NO.

65L907TX2

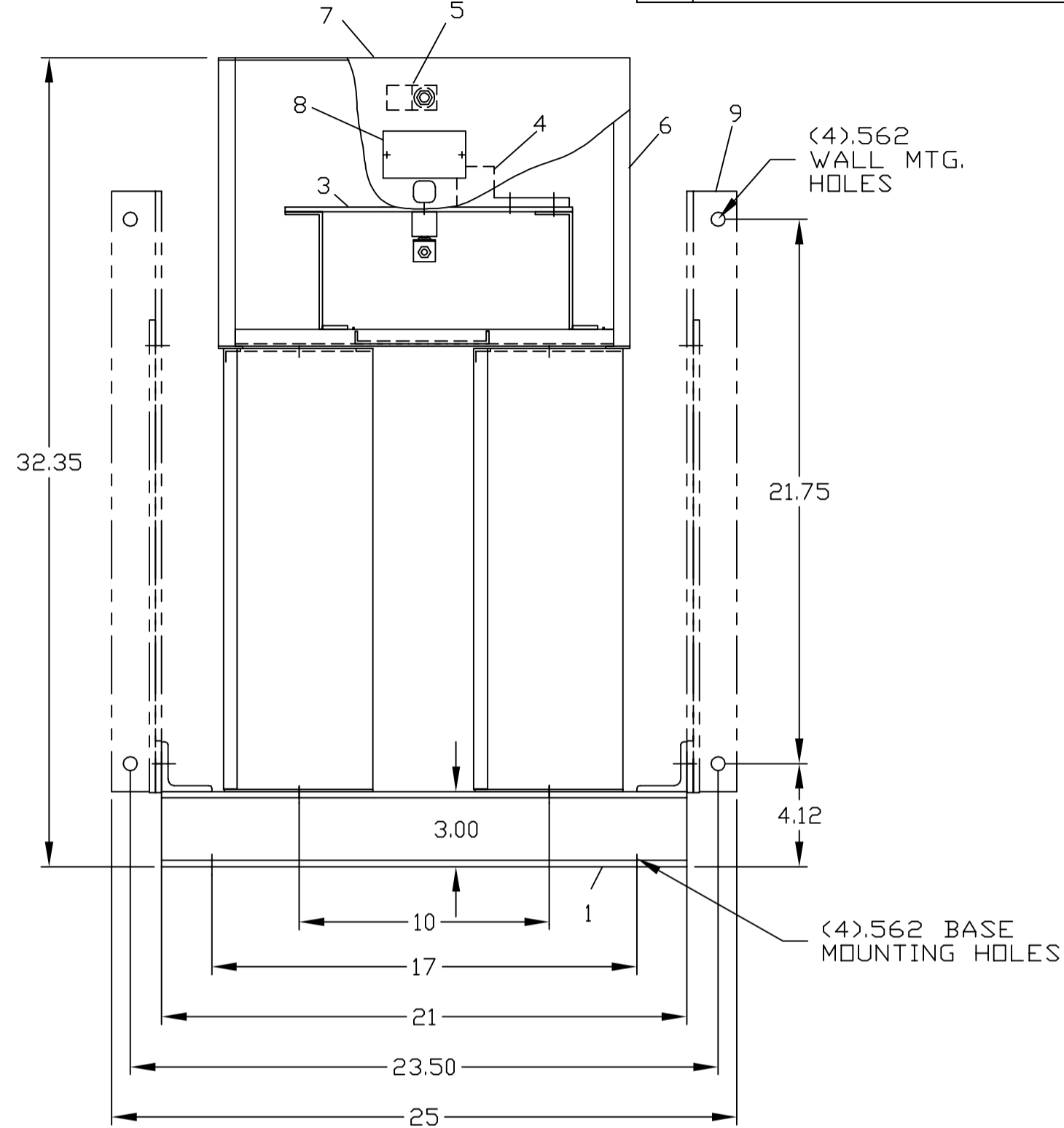
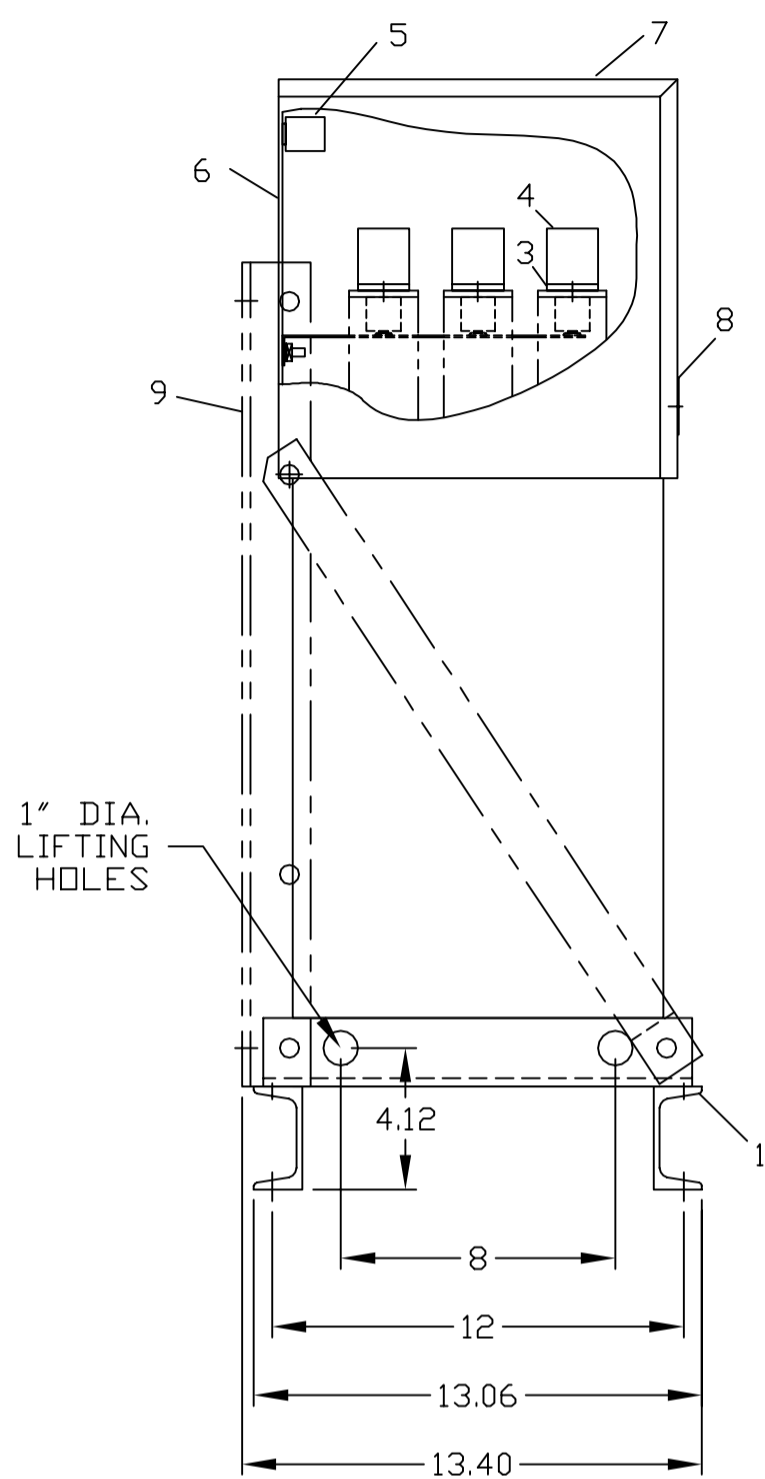
SHT

REV NO.

1

1

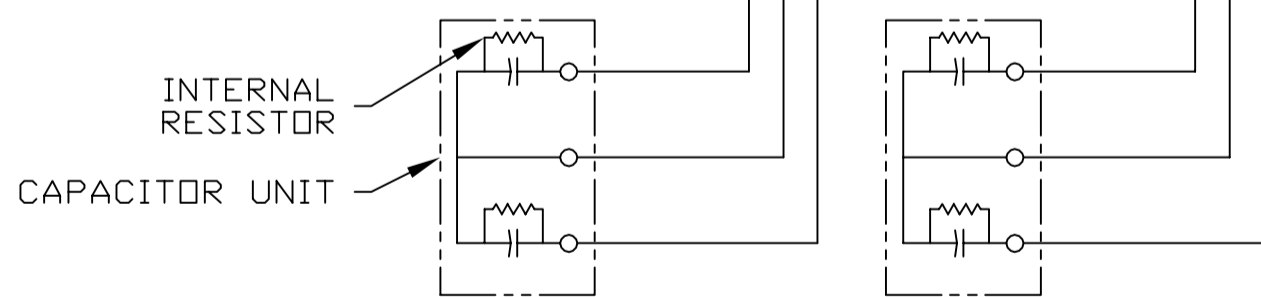
REVISIONS			
REV	DESCRIPTION	DATE	APPROVED
1	UPDATE TO AUTOCAD		KS



NOMENCLATURE

- 1. ALUMINUM BASE FRAME
- 2. CAPACITOR UNIT
- 3. COPPER BUS BARS
- 4. LINE TERMINAL - #4/0 TO 600 MCM
- 5. GROUND TERMINAL - #6AWG TO 250 MCM
- 6. BUS ENCLOSURE
- 7. ACCESS COVER
- 8. RATING NAMEPLATE
- 9. OPTIONAL FIELD ASSEMBLED WALL MTG. FRAME

SECT. 1  
COMMON  
SECT. 2



CONNECTION DIAGRAM

CAT 65L907TX2 SERNO  
 KVAR 70 60Hz 1ph  
 VOLT 240 DIAG 186C3233EN  
 CONN COM CTR  
 Read instructions: GEH-2728

SIGNATURES		DATE
DRAWN E.McGINN		9/24/92
CHECKED		
ENGR		
ISSUED		9/30/93
CAD SYS. NO.		
AUTOCAD		



INDUSTRIAL SYSTEMS  
 FORT EDWARD, N.Y., U.S.A.

OUTLINE  
 65L907TX2

FIRST MADE FOR:

SIZE	FSCM NO.	DWG NO.	REV
C		65L907TX2	1
SCALE	SHEET	CONT ON SHT	

413  
DISTR TO