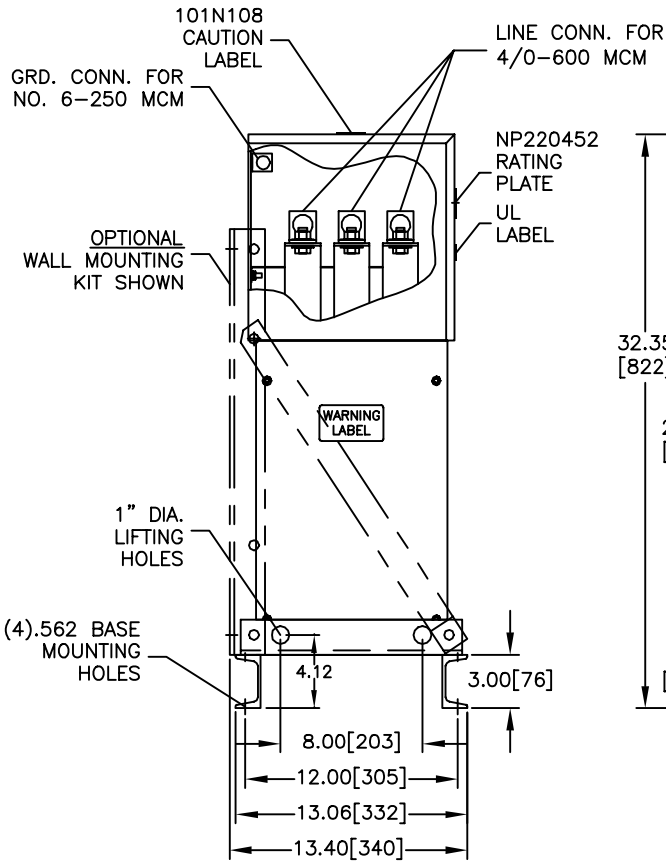
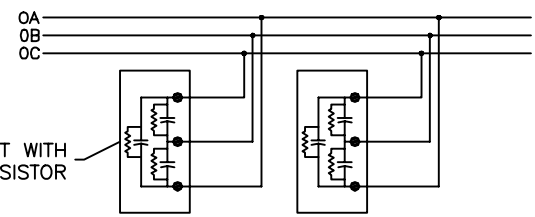
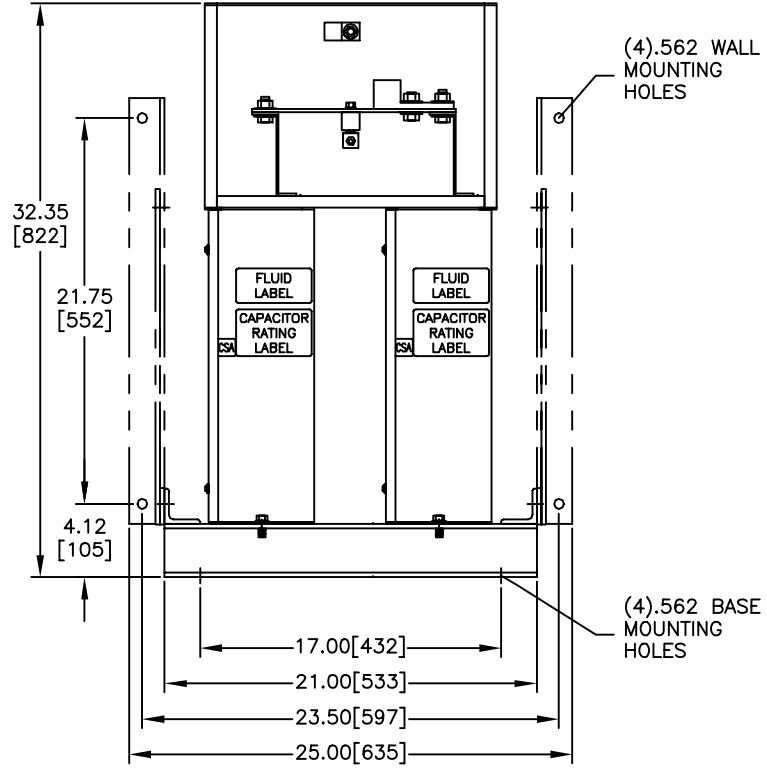


SIZE A	DWG NO 65L908TL3	SHT 2	REV
REV	DESCRIPTION	DATE	APPROVED



FRONT VIEW  
SHOWN WITH TOP/FRONT COVER REMOVED



CONNECTION DIAGRAM

## CAPACITOR

CAT. 65L908TL3      SER.NO.

kVAR 75      60 Hz      3 Ph

VOLT. 240      CONN. DELTA

DIAG. 186C3233EM

**CAUTION** BEFORE INSTALLING OR OPERATING READ INST. 2738

CAPACITOR UNITS CONTAIN CLASS III B COMBUSTIBLE LIQUID.  
CAPACITOR UNITS INCLUDE INTERNAL DISCHARGE RESISTORS.  
NP220452      FORT EDWARD, N.Y.      MADE IN U.S.A.

<b>INDUSTRIAL SYSTEMS</b> <b>FORT EDWARD, N.Y., U.S.A.</b>	SIZE <b>A</b>	EST. WEIGHT: 95	<h1 style="margin: 0;">OUTLINE</h1> <h2 style="margin: 0;">65L908TL3</h2>
	SCALE	GALLONS LIQUID: 0.86	
DRAWN A.COZZENS	DATE 7/11/2003	SHEET 2	CONT ON —
ISSUED	DATE 7/16/2003		

DISTR. TO