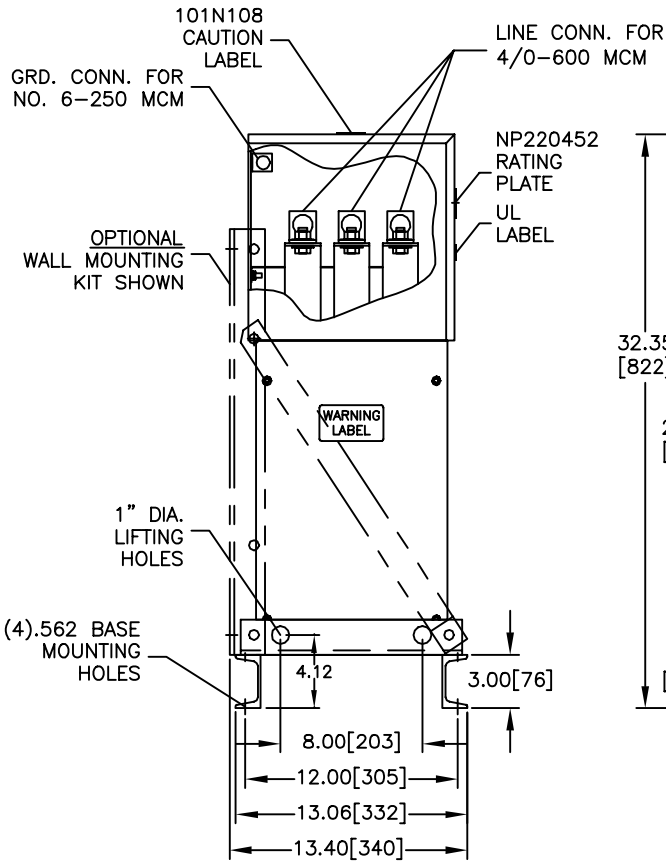
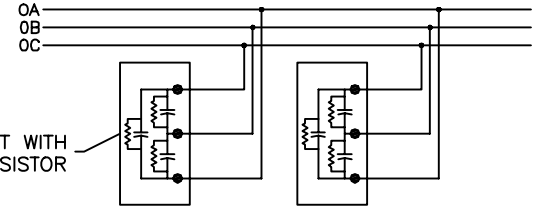
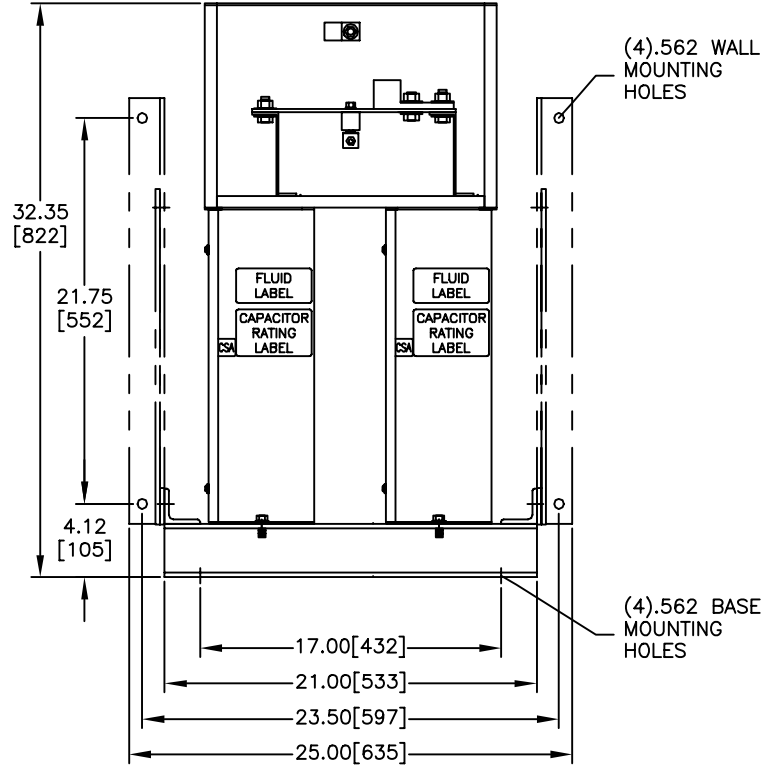


SIZE A	DWG NO 65L909TL3	SHT 2	REV
REV	DESCRIPTION	DATE	APPROVED



FRONT VIEW  
SHOWN WITH TOP/FRONT COVER REMOVED



CONNECTION DIAGRAM

## CAPACITOR

CAT. 65L909TL3      SER.NO. \_\_\_\_\_  
 kVAR 80              60 Hz    3 Ph  
 VOLT. 240            CONN. DELTA  
 DIAG. 186C3233EM

CAUTION BEFORE INSTALLING OR OPERATING READ INST. 2738

CAPACITOR UNITS CONTAIN CLASS III B COMBUSTIBLE LIQUID.  
 CAPACITOR UNITS INCLUDE INTERNAL DISCHARGE RESISTORS.  
 NP220452      FORT EDWARD, N.Y.      MADE IN U.S.A.

<b>INDUSTRIAL SYSTEMS</b> FORT EDWARD, N.Y., U.S.A.	SIZE <b>A</b>	EST. WEIGHT: 99	<h1 style="margin: 0;">OUTLINE</h1> <h2 style="margin: 0;">65L909TL3</h2>
	DRAWN    A.COZZENS      DATE    7/11/2003	GALLONS LIQUID: 1.06	
ISSUED	DATE    7/16/2003	SCALE	

DISTR. TO