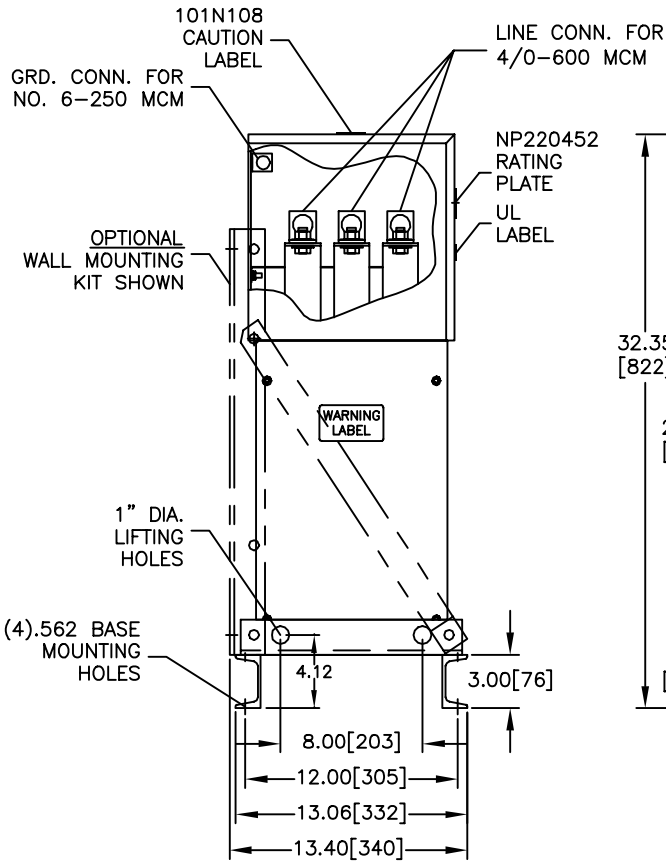
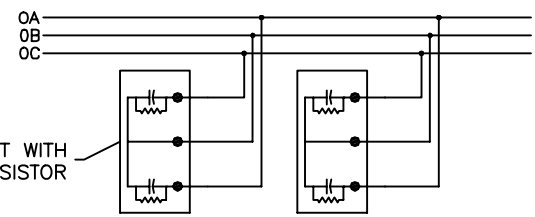
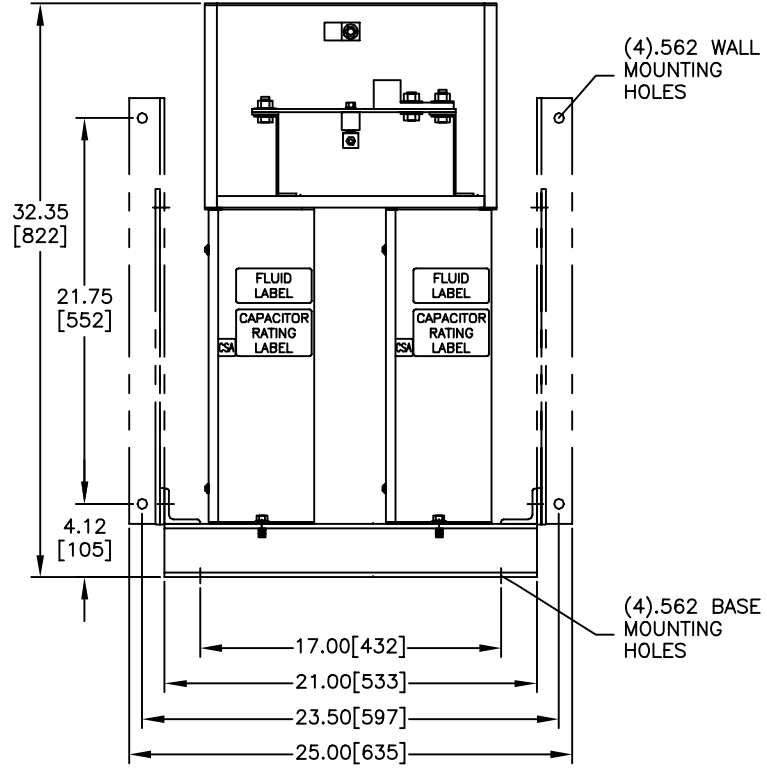


SIZE A	DWG NO 65L909TX3	SHT 2	REV
REV	DESCRIPTION	DATE	APPROVED



FRONT VIEW
SHOWN WITH TOP/FRONT COVER REMOVED



CONNECTION DIAGRAM

CAPACITOR

CAT. 65L909TX3 SER.NO. _____

kVAR 80 60 Hz 1 Ph

VOLT. 240 CONN. COM CTR

DIAG. 186C3233EN

CAUTION BEFORE INSTALLING OR OPERATING READ INST. 2738

CAPACITOR UNITS CONTAIN CLASS III B COMBUSTIBLE LIQUID.
CAPACITOR UNITS INCLUDE INTERNAL DISCHARGE RESISTORS.
NP220452 FORT EDWARD, N.Y. MADE IN U.S.A.

INDUSTRIAL SYSTEMS FORT EDWARD, N.Y., U.S.A.	SIZE A	EST. WEIGHT: 97	<h1 style="margin: 0;">OUTLINE</h1> <h1 style="margin: 0;">65L909TX3</h1>
	DRAWN B.Ross DATE 8/8/2003	GALLONS LIQUID: 1.06	
ISSUED	DATE 8/13/2003	SCALE	SHEET 2 CONT ON —

DISTR. TO