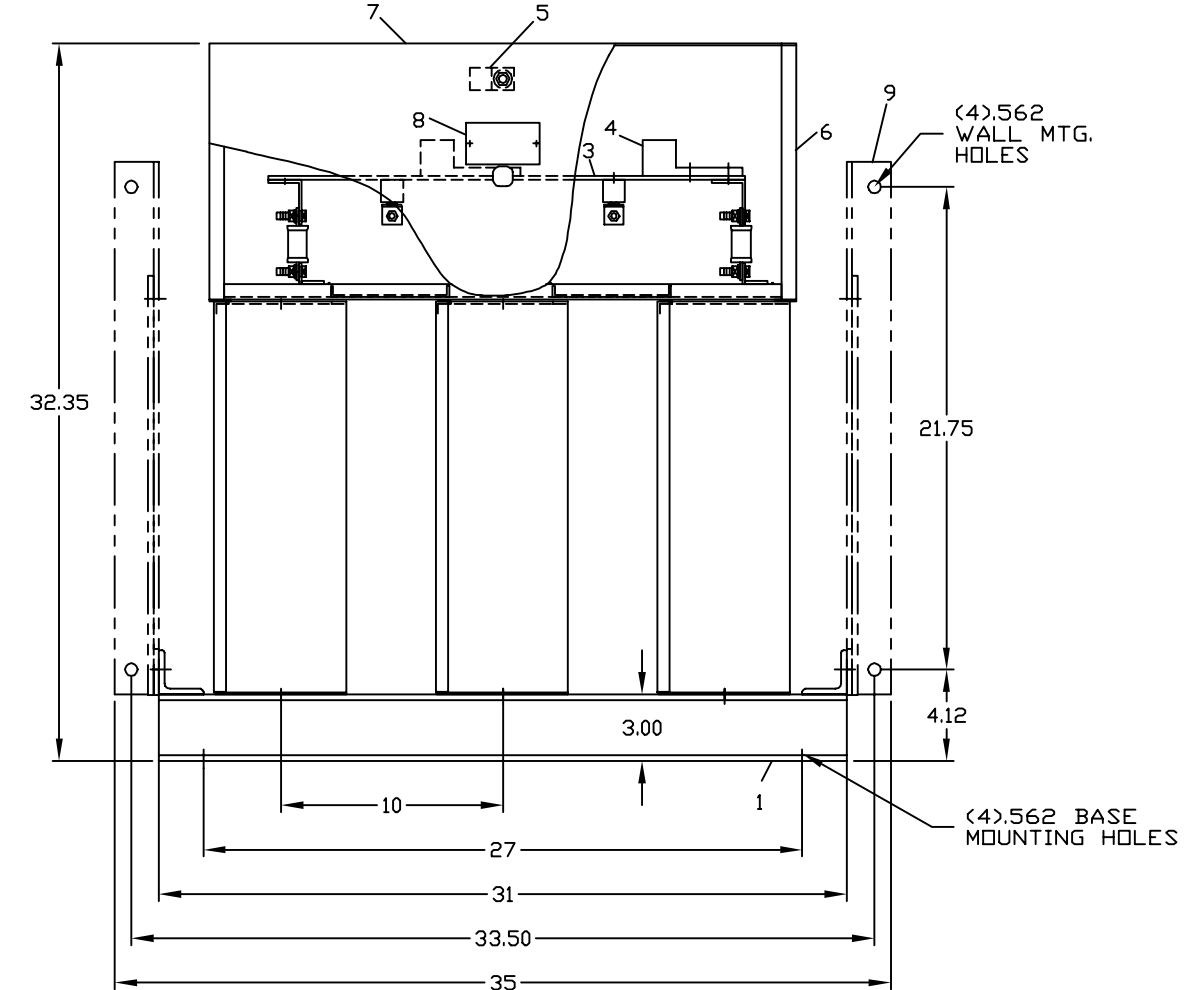
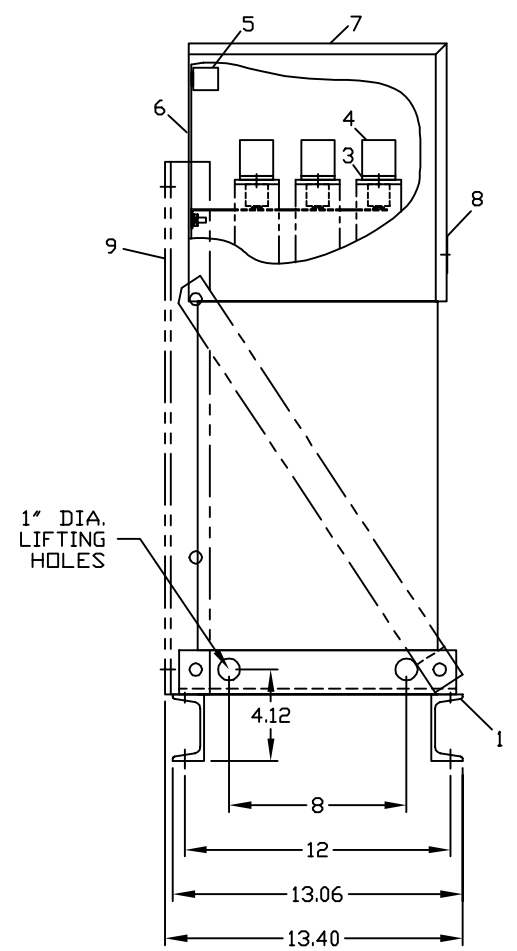
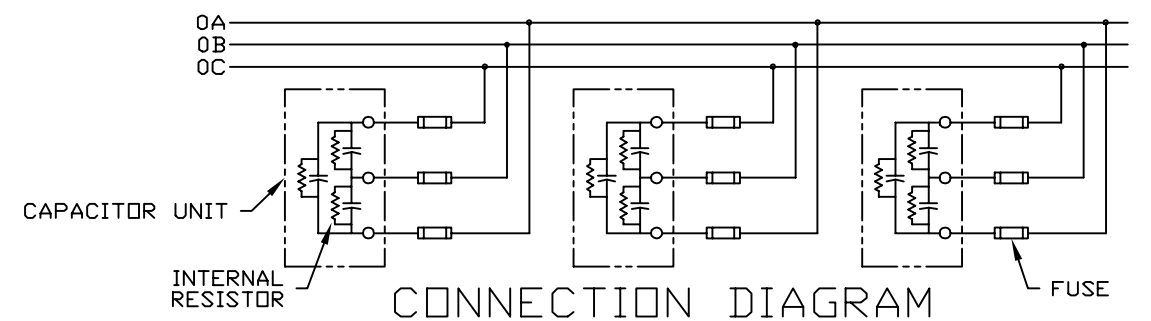


REVISIONS			
REV	DESCRIPTION	DATE	APPROVED
1	UPDATE TO AUTOCAD		KS



NOMENCLATURE

1. ALUMINUM BASE FRAME
2. CAPACITOR UNIT
3. COPPER BUS BARS
4. LINE TERMINAL - #4/0 TO 600 MCM
5. GROUND TERMINAL - #6AWG TO 250 MCM
6. BUS ENCLOSURE
7. ACCESS COVER
8. RATING NAMEPLATE
9. OPTIONAL FIELD ASSEMBLED WALL MTG. FRAME



CONNECTION DIAGRAM

SIGNATURES		DATE		INDUSTRIAL SYSTEMS FORT EDWARD, N.Y., U.S.A.
DRAWN E. MCGINN		9/28/92		
CHECKED				OUTLINE 65L910TN2
ENGR				
ISSUED		9/30/93		
FIRST MADE FOR:				413
AUTOCAD				
CAD SYS. NO.	SIZE C	FSCM NO.	DWG NO. 65L910TN2	REV 1
SCALE		SHEET		CONT ON SHT

CAT 65L910TN2	SERNO
KVAR 85	60Hz 3ph
VOLT 240	DIAG 186C3233FD
	CONN DELTA

Read instructions: GEH-2728