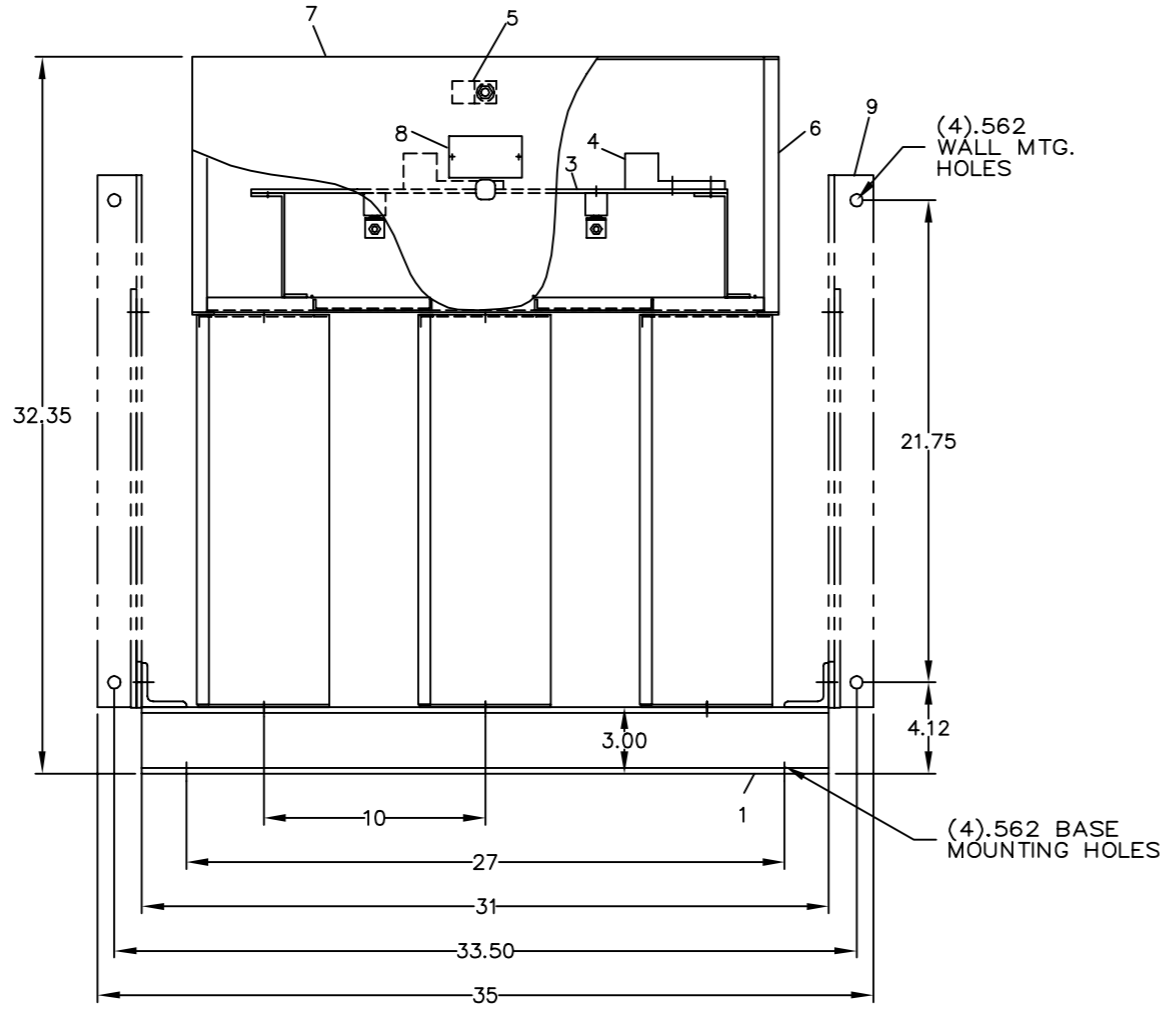
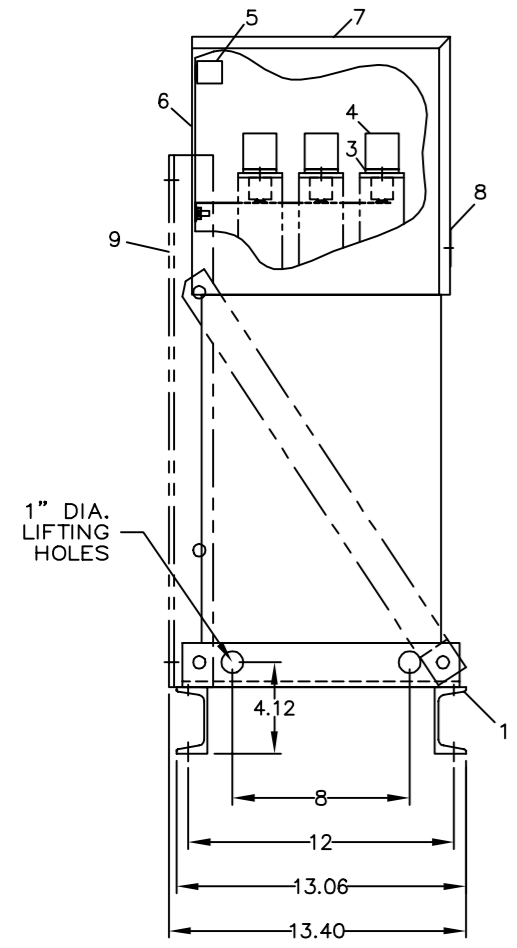
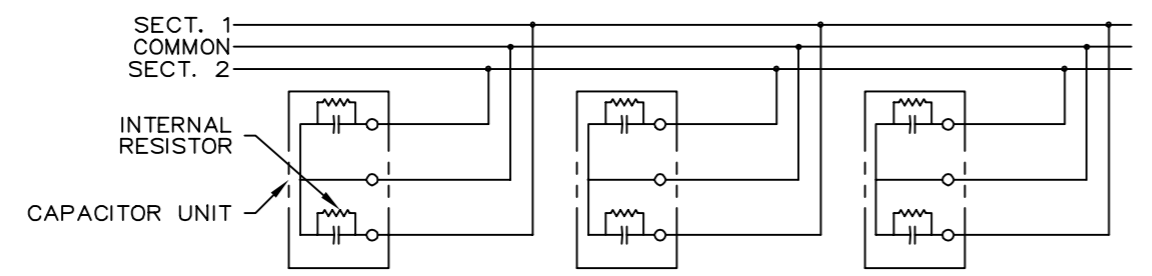


REVISIONS			
REV	DESCRIPTION	DATE	APPROVED
1	UPDATE TO AUTOCAD		EJM



**NOMENCLATURE**

1. ALUMINUM BASE FRAME
2. CAPACITOR UNIT
3. COPPER BUS BARS
4. LINE TERMINAL - #4/0 TO 600 MCM
5. GROUND TERMINAL - #6AWG TO 250 MCM
6. BUS ENCLOSURE
7. ACCESS COVER
8. RATING NAMEPLATE
9. OPTIONAL FIELD ASSEMBLED WALL MTG. FRAME



**CONNECTION DIAGRAM**

SIGNATURES		DATE		<b>INDUSTRIAL SYSTEMS</b> <b>FORT EDWARD, N.Y., U.S.A.</b>	
DRAWN E.McGINN		9/29/93			
CHECKED					
ENGR					
ISSUED		9/30/93		OUTLINE <b>65L910TX2</b>	
FIRST MADE FOR:					
CAD SYS. NO.					
AUTOCAD		SIZE C	FSCM NO.	DWG NO. 65L910TX2	REV 1
SCALE		SHEET 1		CONT ON SHIT -	

CAT 65L910TX2 SERNO  
 KVAR 85 60Hz 3ph  
 VOLT 240 DIAG 186C3233FN  
 CONN COM CTR  
 Read instructions: GEH-2728

413

DISTR TO