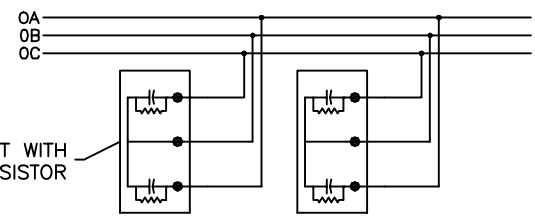
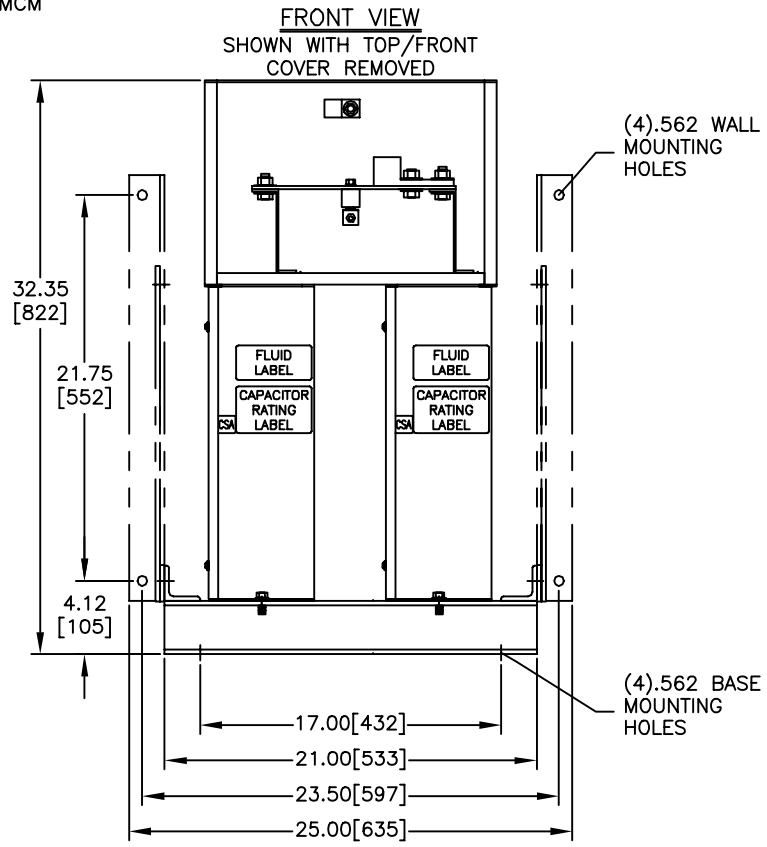
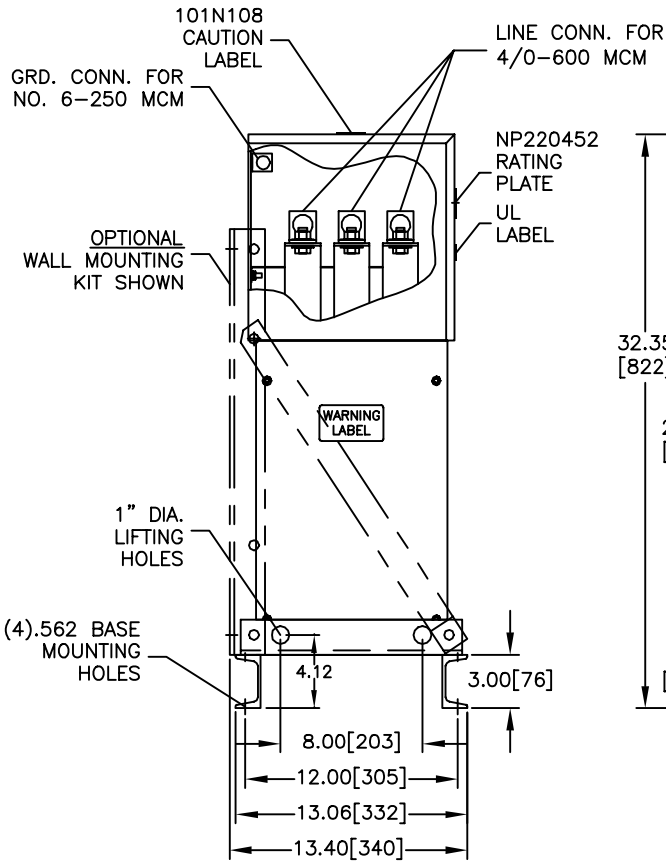


|           |                     |          |          |
|-----------|---------------------|----------|----------|
| SIZE<br>A | DWG NO<br>65L910TX3 | SHT<br>2 | REV      |
| REV       | DESCRIPTION         | DATE     | APPROVED |
|           |                     |          |          |



CONNECTION DIAGRAM

## CAPACITOR

CAT. 65L910TX3      SER.NO.  
 kVAR 85              60 Hz    1 Ph  
 VOLT. 240            CONN. COM CTR  
 DIAG. 186C3233EN

CAUTION! BEFORE INSTALLING OR OPERATING READ INST. 2738

CAPACITOR UNITS CONTAIN CLASS III B COMBUSTIBLE LIQUID.  
 CAPACITOR UNITS INCLUDE INTERNAL DISCHARGE RESISTORS.  
 NP220452              FORT EDWARD, N.Y.      MADE IN U.S.A.

|  |                   |                         |   |
|--|-------------------|-------------------------|---|
| <b>INDUSTRIAL SYSTEMS</b><br>FORT EDWARD, N.Y., U.S.A. | SIZE<br><b>A</b>  | EST. WEIGHT:<br>98      | <h1 style="margin: 0;">OUTLINE</h1> <h1 style="margin: 0;">65L910TX3</h1> |
|  | SCALE             | GALLONS LIQUID:<br>0.99 |   |
| DRAWN    B.Ross  | DATE    8/8/2003  |                         |   |
| ISSUED   | DATE    8/13/2003 | SHEET<br>2              | CONT<br>ON<br>—   |

DISTR. TO