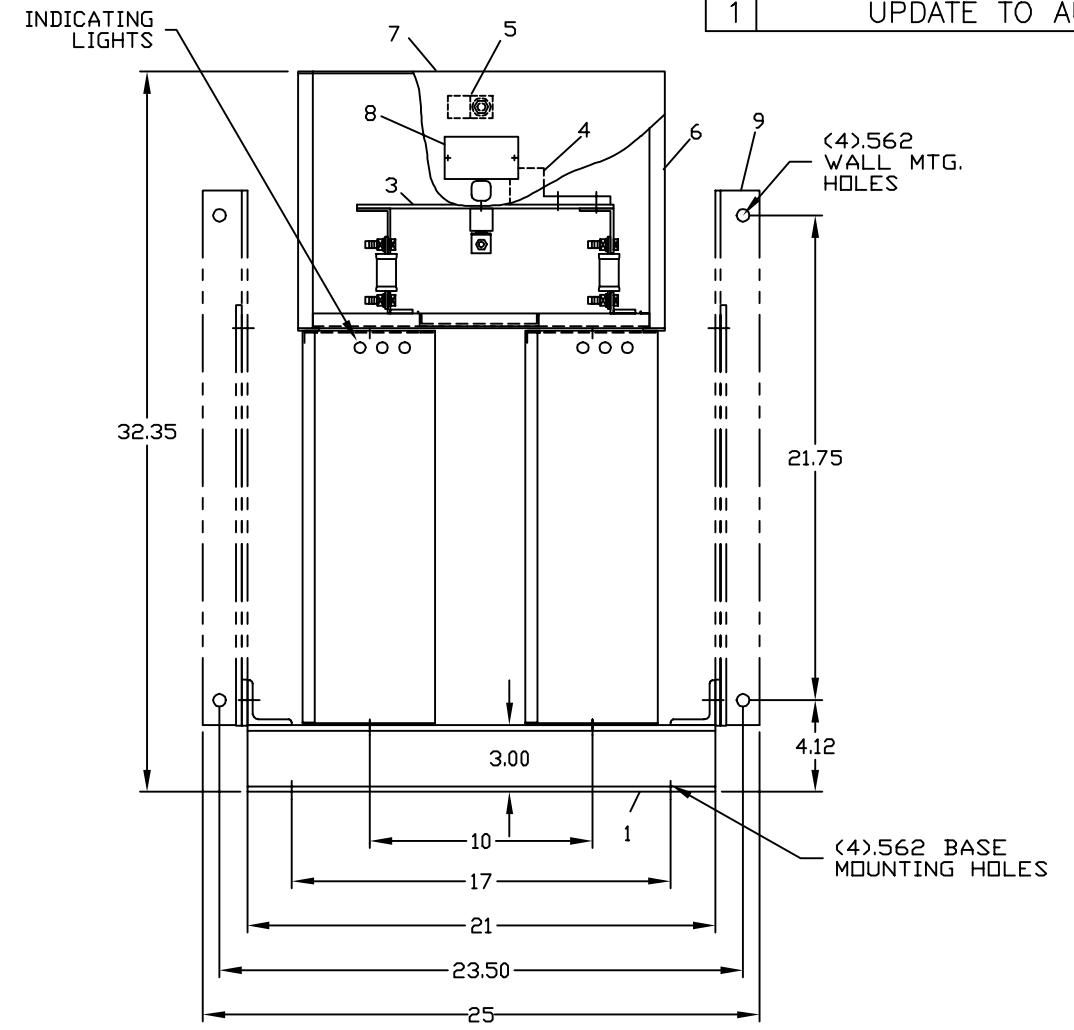
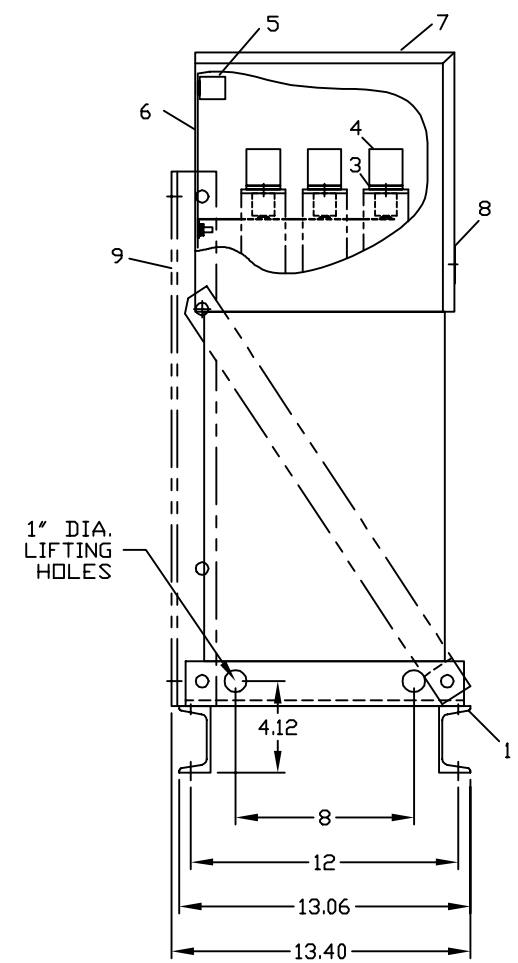
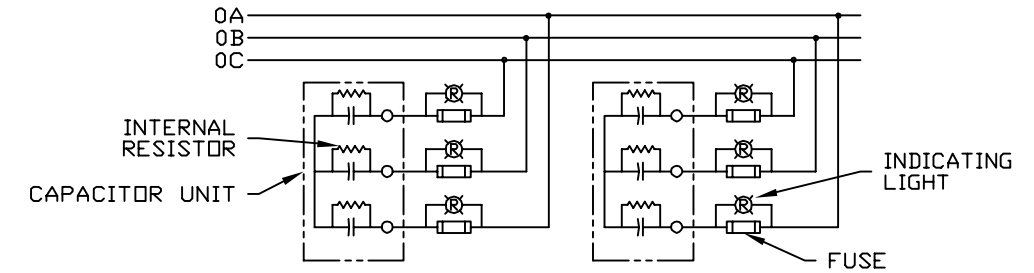


REVISIONS			
REV	DESCRIPTION	DATE	APPROVED
1	UPDATE TO AUTOCAD		KS



- NOMENCLATURE**
1. ALUMINUM BASE FRAME
  2. CAPACITOR UNIT
  3. COPPER BUS BARS
  4. LINE TERMINAL - #4/0 TO 600 MCM
  5. GROUND TERMINAL - #6AWG TO 250 MCM
  6. BUS ENCLOSURE
  7. ACCESS COVER
  8. RATING NAMEPLATE
  9. OPTIONAL FIELD ASSEMBLED WALL MTG. FRAME



CONNECTION DIAGRAM

SIGNATURES		DATE		<b>INDUSTRIAL SYSTEMS</b> FORT EDWARD, N.Y., U.S.A.  OUTLINE 65L912TK2  FIRST MADE FOR:	
DRAWN	E.McGINN	9/18/92			
CHECKED					
ENGR					
ISSUED		9/30/93			
CAD SYS. NO.		SIZE	FSCM NO.	DWG NO.	REV
AUTOCAD		C		65L912TK2	1
		SCALE	SHEET		CONT ON SHT

CAT 65L912TK2 SERNO  
 KVAR 95 60Hz 3ph  
 VOLT 600 DIAG 186C3233EA  
 CONN Y-CONN  
 Read instructions: GEH-2728

413  
DISTR TO