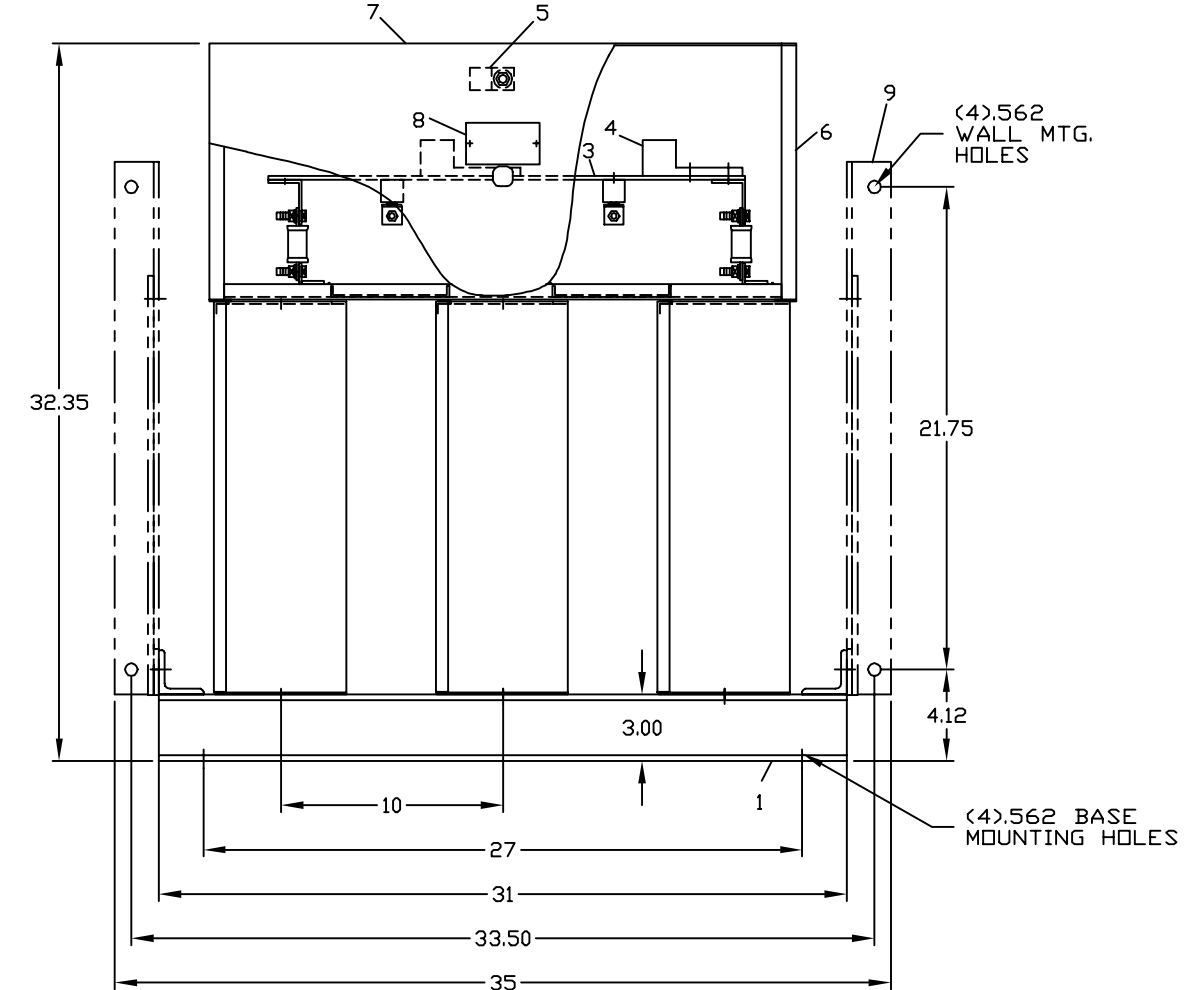
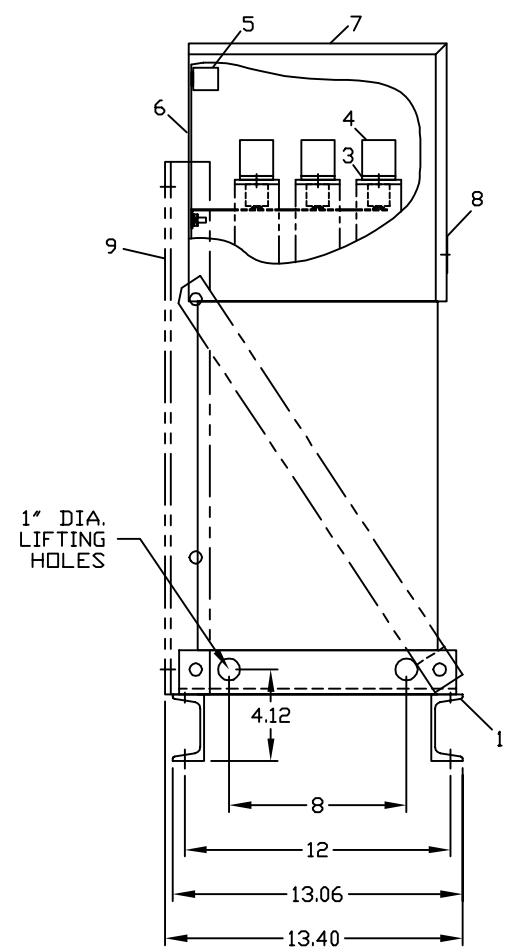


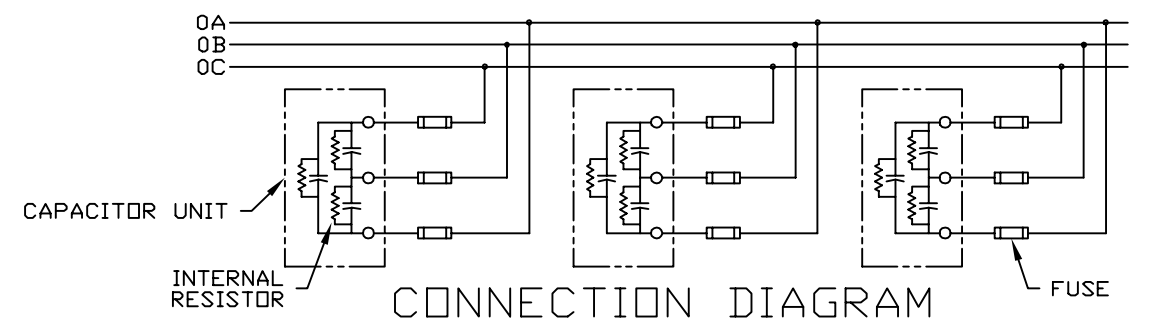
SIZE	DWG NO.	SHT	REV
C	65L912TN2	1	1

REVISIONS			
REV	DESCRIPTION	DATE	APPROVED
1	UPDATE TO AUTOCAD		KS



NOMENCLATURE

1. ALUMINUM BASE FRAME
2. CAPACITOR UNIT
3. COPPER BUS BARS
4. LINE TERMINAL - #4/0 TO 600 MCM
5. GROUND TERMINAL - #6AWG TO 250 MCM
6. BUS ENCLOSURE
7. ACCESS COVER
8. RATING NAMEPLATE
9. OPTIONAL FIELD ASSEMBLED WALL MTG. FRAME



CONNECTION DIAGRAM

SIGNATURES		DATE		INDUSTRIAL SYSTEMS FORT EDWARD, N.Y., U.S.A.			
DRAWN E. MCGINN		9/28/92					
CHECKED				OUTLINE 65L912TN2			
ENGR							
ISSUED		9/30/93					
FIRST MADE FOR:				413			
CAD SYS. NO.		SIZE	FSCM NO.	DWG NO.	REV	DISTR.	
		C		65L912TN2	1	ID	
AUTOCAD		SCALE	SHEET			CONT ON SHT	

CAT 65L912TN2 SERNO
 KVAR 95 60Hz 3ph
 VOLT 240 DIAG 186C3233FD
 CONN DELTA
 Read instructions: GEH-2728