

4

3

2

C

SIZE DWG NO.

65L913TF2

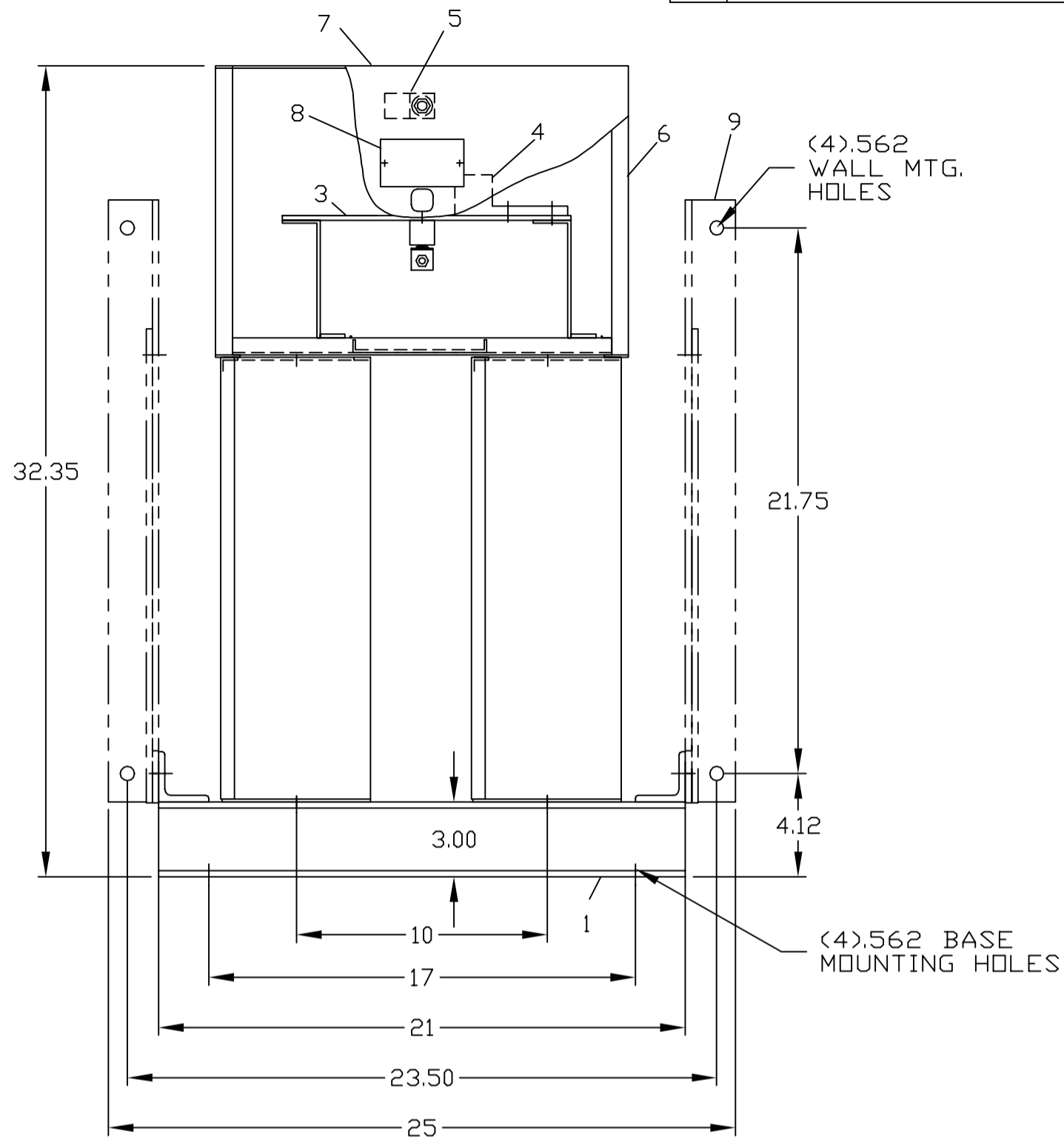
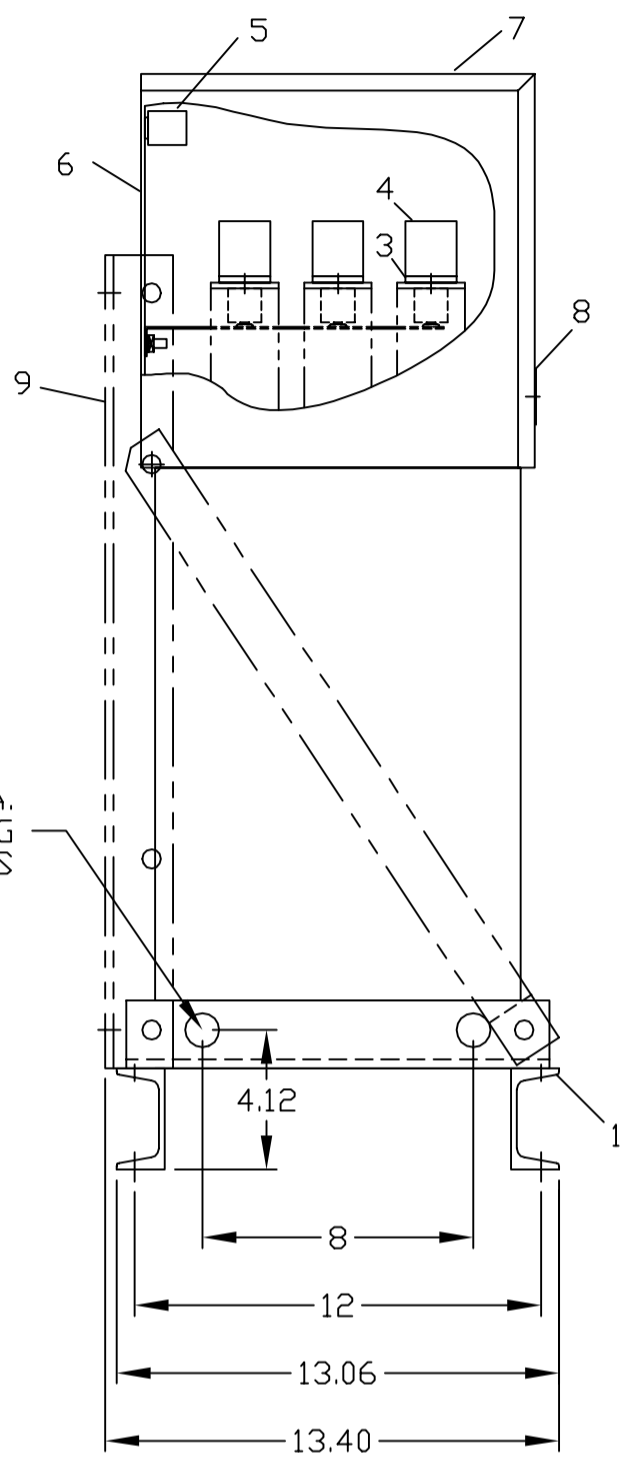
SHT

REV 1

1

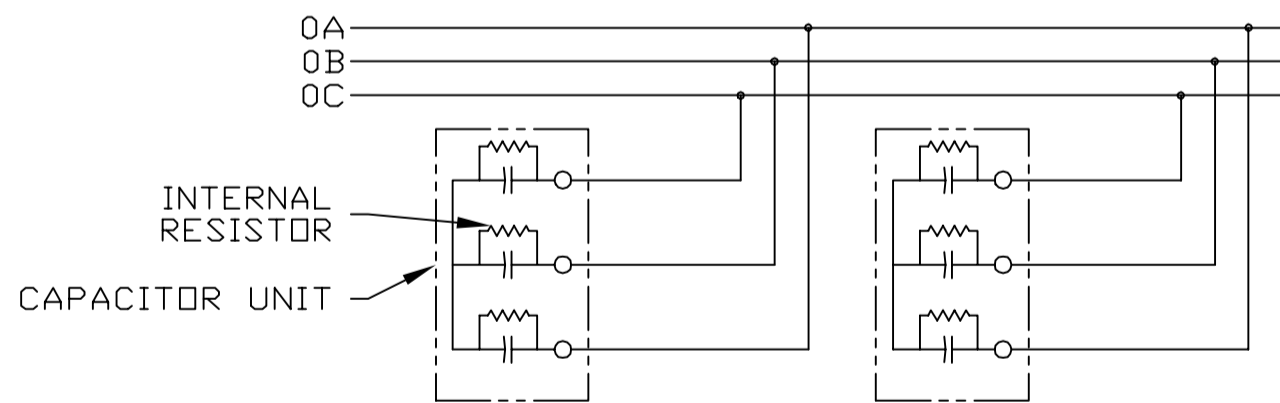
1

REVISIONS			
REV	DESCRIPTION	DATE	APPROVED
1	UPDATE TO AUTOCAD		KS



NOMENCLATURE

1. ALUMINUM BASE FRAME
2. CAPACITOR UNIT
3. COPPER BUS BARS
4. LINE TERMINAL - #4/0 TO 600 MCM
5. GROUND TERMINAL - #6AWG TO 250 MCM
6. BUS ENCLOSURE
7. ACCESS COVER
8. RATING NAMEPLATE
9. OPTIONAL FIELD ASSEMBLED WALL MTG. FRAME



CONNECTION DIAGRAM

CAT 65L913TF2 SERNO
 KVAR 100 60Hz 3ph
 VOLT 600 DIAG 186C3233EL
 CONN Y-CONN
 Read instructions: GEH-2728

SIGNATURES		DATE
DRAWN	E.McGINN	9/24/92
CHECKED		
ENGR		
ISSUED		9/30/93
CAD SYS. NO.		
AUTOCAD		



INDUSTRIAL SYSTEMS
 FORT EDWARD, N.Y., U.S.A.

OUTLINE
 65L913TF2

FIRST MADE FOR:

SIZE	FSCM NO.	DWG NO.	REV
C		65L913TF2	1
SCALE	SHEET	CONT ON SHT	

413
DISTR TO