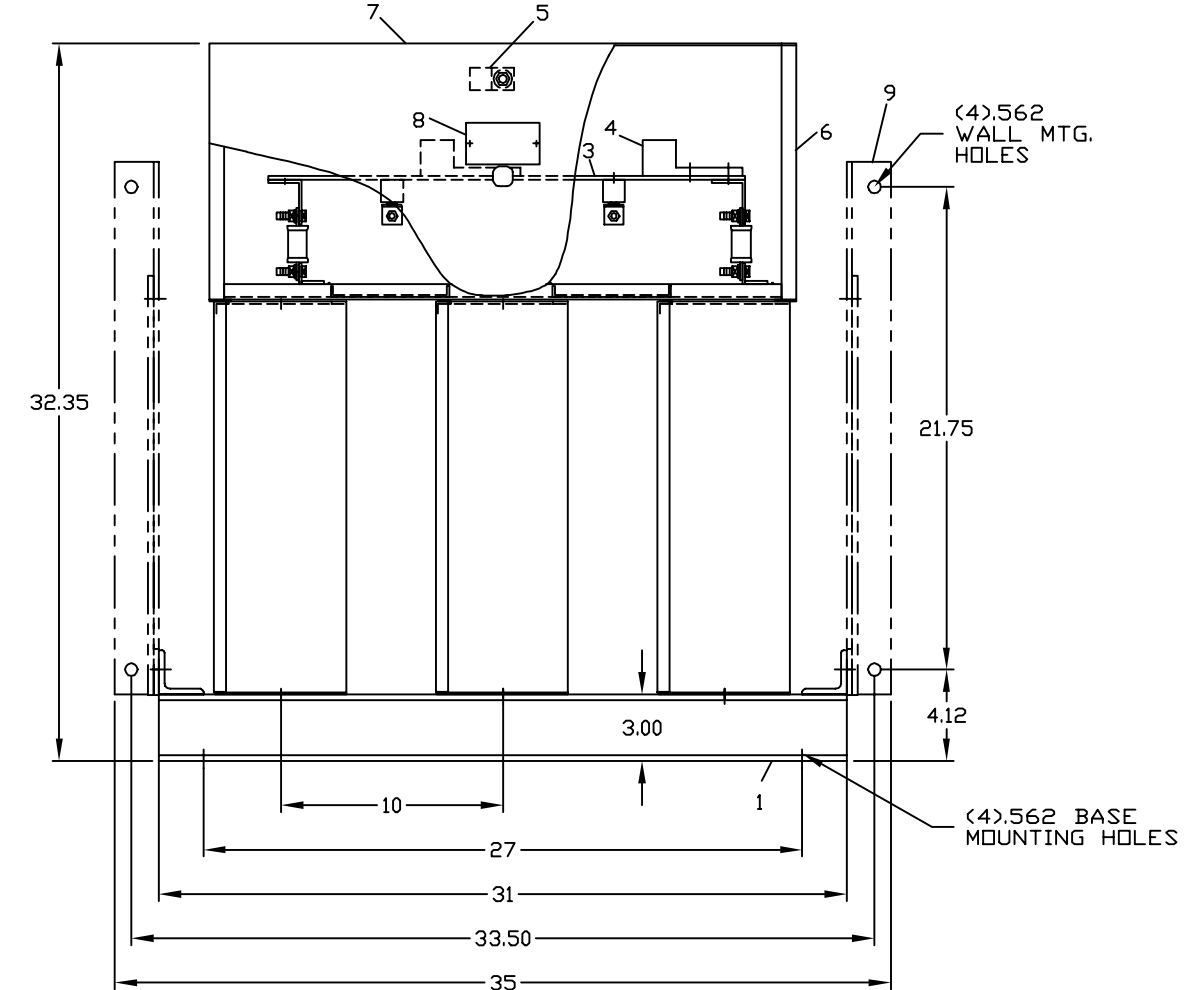
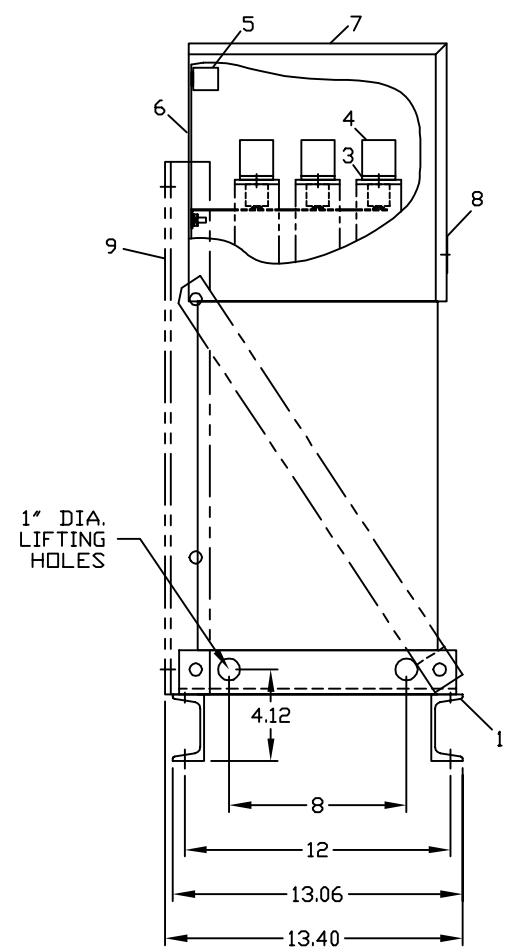


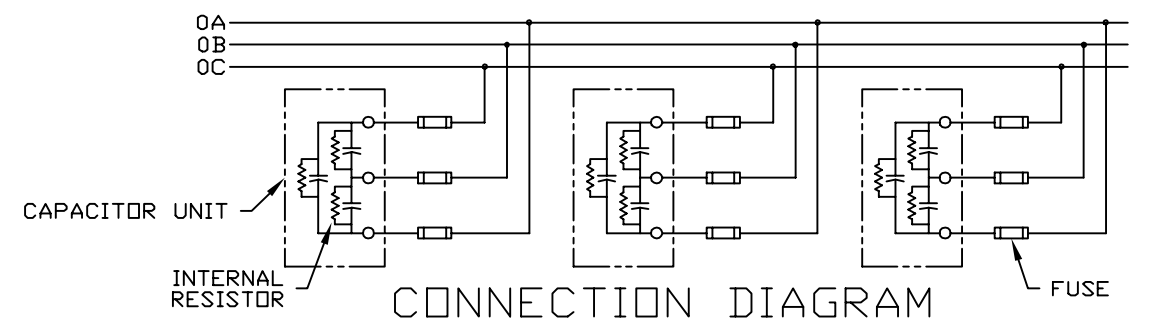
SIZE	DWG NO.	SHT	REV
C	65L913TN2	1	1

REVISIONS			
REV	DESCRIPTION	DATE	APPROVED
1	UPDATE TO AUTOCAD		KS



NOMENCLATURE

1. ALUMINUM BASE FRAME
2. CAPACITOR UNIT
3. COPPER BUS BARS
4. LINE TERMINAL - #4/0 TO 600 MCM
5. GROUND TERMINAL - #6AWG TO 250 MCM
6. BUS ENCLOSURE
7. ACCESS COVER
8. RATING NAMEPLATE
9. OPTIONAL FIELD ASSEMBLED WALL MTG. FRAME



CONNECTION DIAGRAM

SIGNATURES		DATE		INDUSTRIAL SYSTEMS FORT EDWARD, N.Y., U.S.A.			
DRAWN E. MCGINN		9/28/92					
CHECKED				OUTLINE 65L913TN2			
ENGR							
ISSUED		9/30/93					
CAD SYS. NO.		AUTOCAD		FIRST MADE FOR:		413	
		SIZE	FSCM NO.	DWG NO.	REV		
		C		65L913TN2	1		
		SCALE	SHEET		CONT ON SHT		

CAT 65L913TN2 SERNO
 KVAR 100 60Hz 3ph
 VOLT 240 DIAG 186C3233FD
 CONN DELTA
 Read instructions: GEH-2728