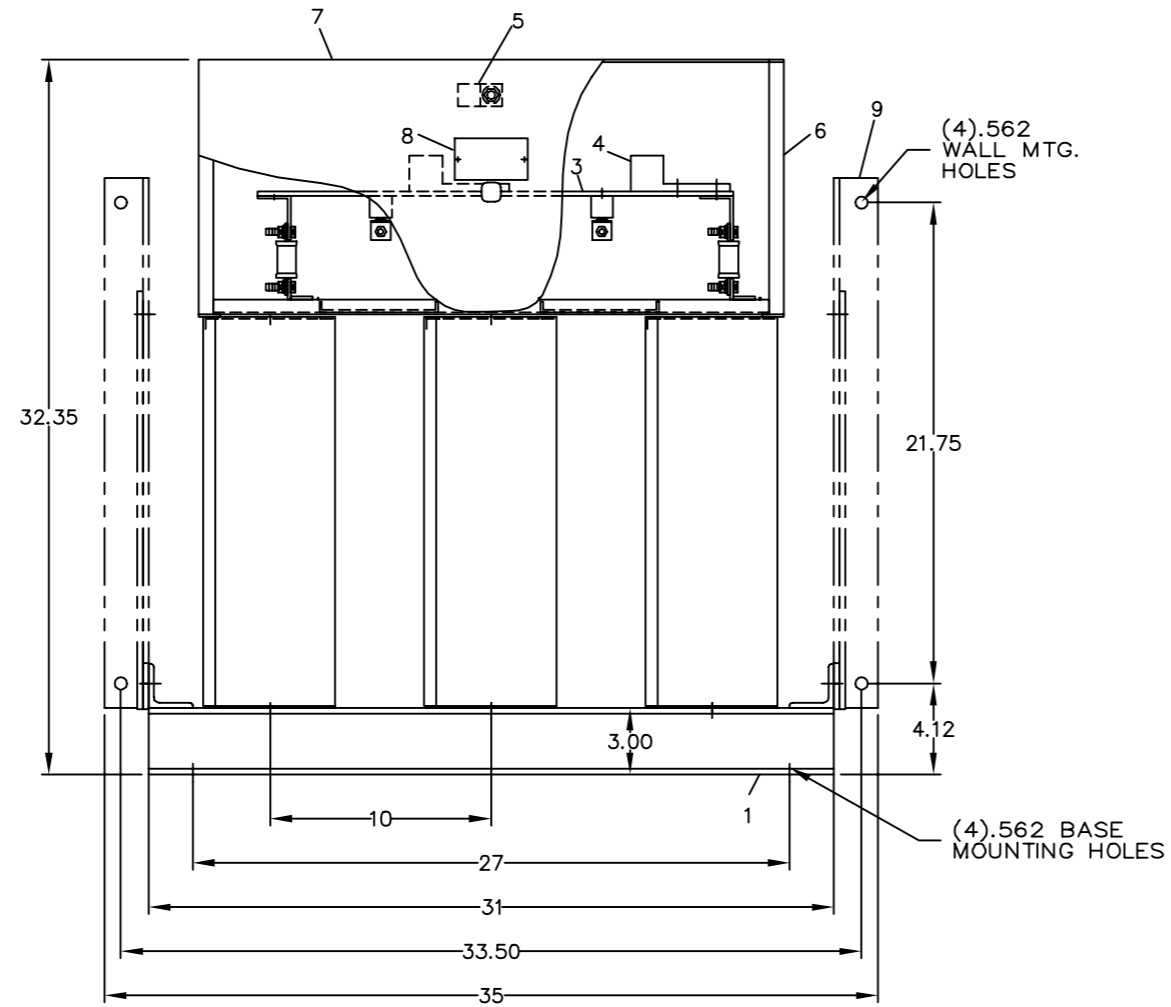
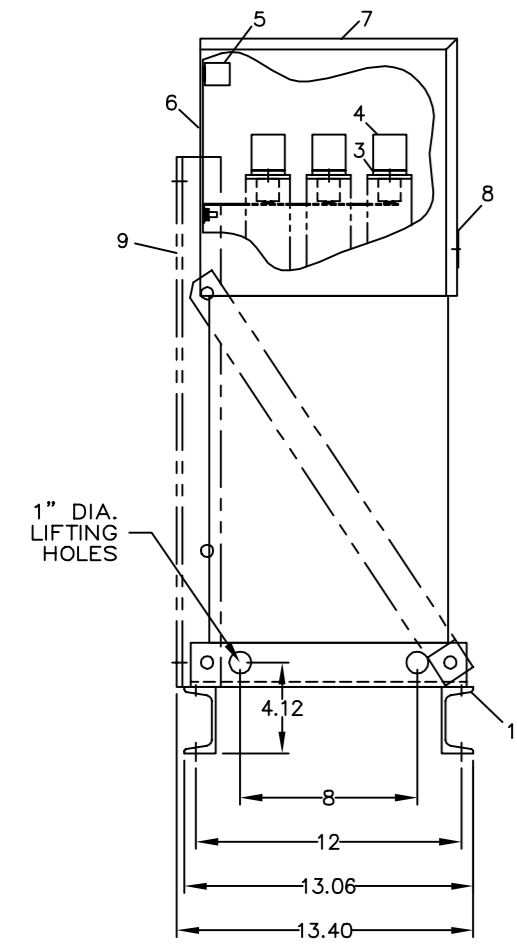
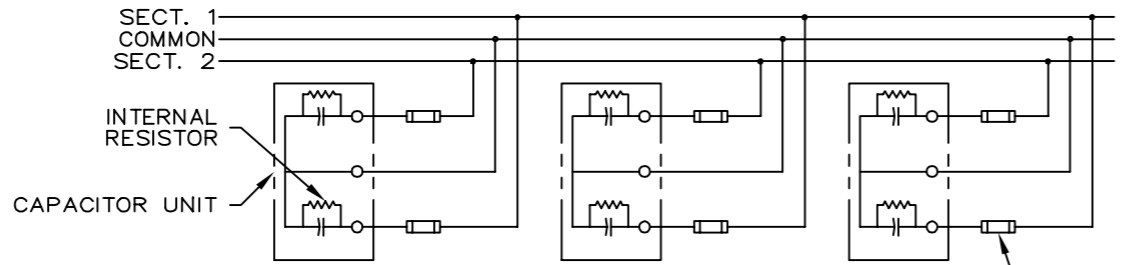


REVISIONS			
REV	DESCRIPTION	DATE	APPROVED
1	UPDATE TO AUTOCAD		EJM



NOMENCLATURE

1. ALUMINUM BASE FRAME
2. CAPACITOR UNIT
3. COPPER BUS BARS
4. LINE TERMINAL - #4/0 TO 600 MCM
5. GROUND TERMINAL - #6AWG TO 250 MCM
6. BUS ENCLOSURE
7. ACCESS COVER
8. RATING NAMEPLATE
9. OPTIONAL FIELD ASSEMBLED WALL MTG. FRAME



CONNECTION DIAGRAM

SIGNATURES		DATE		INDUSTRIAL SYSTEMS FORT EDWARD, N.Y., U.S.A. OUTLINE 65L913TY2 FIRST MADE FOR:	
DRAWN E.McGINN		9/28/93			
CHECKED					
ENGR					
ISSUED		9/30/95			
CAD SYS. NO.		SIZE C	FSCM NO.	DWG NO. 65L913TY2	REV 1
AUTOCAD		SCALE		SHEET 1	CONT ON SHT -

CAT 65L913TY2 SERNO
 KVAR 100 60Hz 1ph
 VOLT 240 DIAG 186C3233FK
 CONN CDM CTR
 Read instructions: GEH-2728

413

DISTR TO