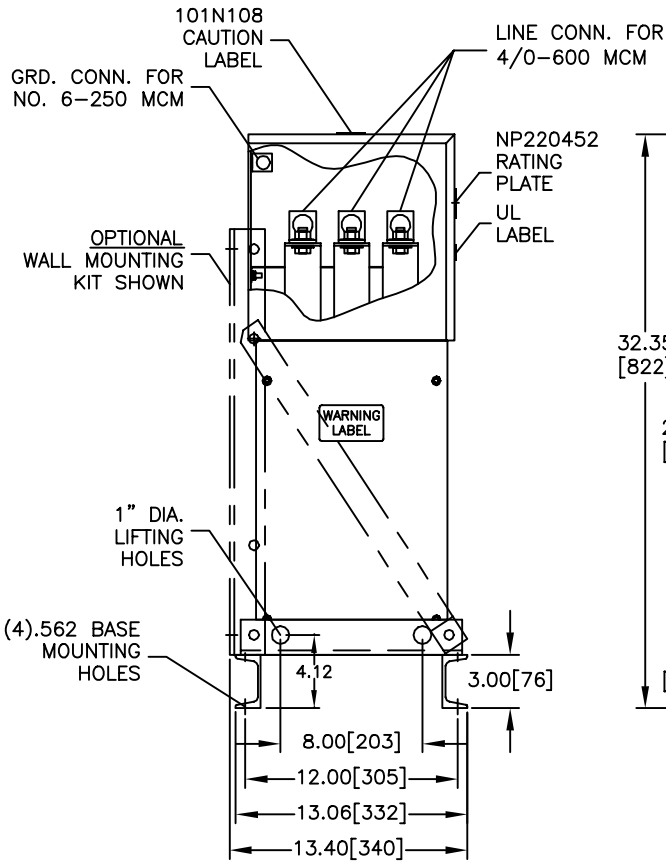
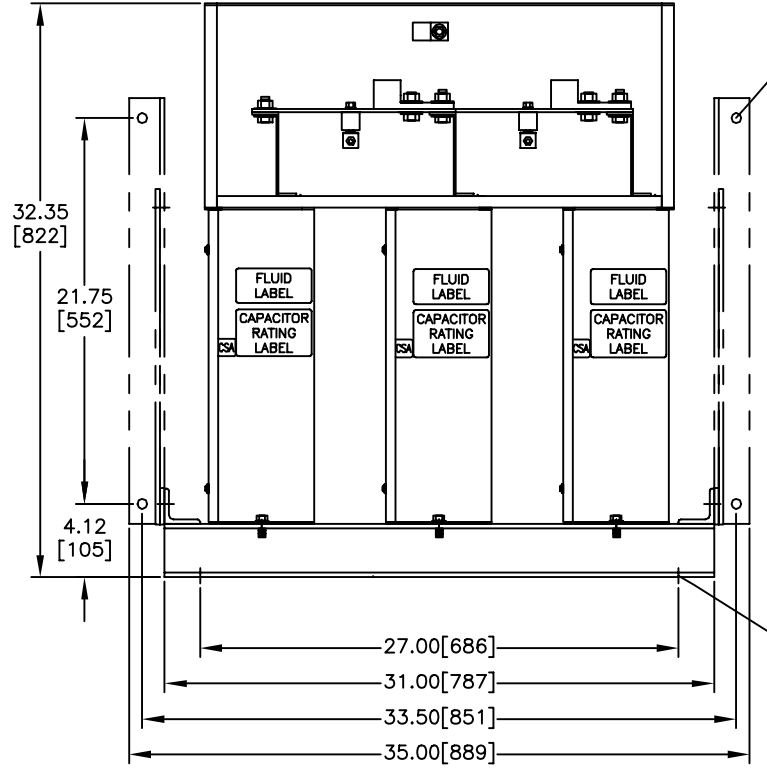


SIZE A	DWG NO 65L914TL3	SHT 2	REV
REV	DESCRIPTION	DATE	APPROVED



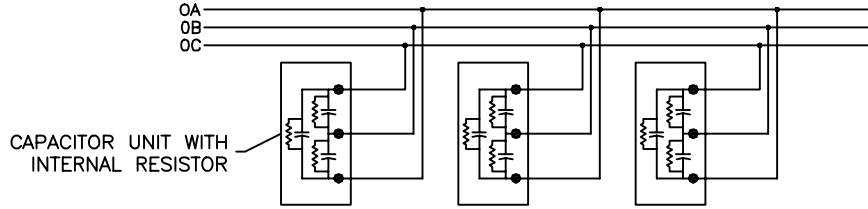
FRONT VIEW  
SHOWN WITH TOP/FRONT COVER REMOVED



## CAPACITOR

CAT. 65L914TL3      SER.NO.  
kVAR 110      60 Hz      3 Ph  
VOLT. 240      CONN. DELTA  
DIAG. 186C3233FM

**CAUTION** BEFORE INSTALLING OR OPERATING READ INST. 2738  
CAPACITOR UNITS CONTAIN CLASS III B COMBUSTIBLE LIQUID.  
CAPACITOR UNITS INCLUDE INTERNAL DISCHARGE RESISTORS.  
NP220452      FORT EDWARD, N.Y.      MADE IN U.S.A.



CONNECTION DIAGRAM

<b>INDUSTRIAL SYSTEMS</b> <b>FORT EDWARD, N.Y., U.S.A.</b>	SIZE <b>A</b>	EST. WEIGHT: 140	<h1 style="margin: 0;">OUTLINE</h1> <h2 style="margin: 0;">65L914TL3</h2>
	SCALE	GALLONS LIQUID: 1.19	
DRAWN A.COZZENS	DATE 7/11/2003	SHEET 2      CONT ON —	
ISSUED	DATE 7/16/2003		

DISTR. TO