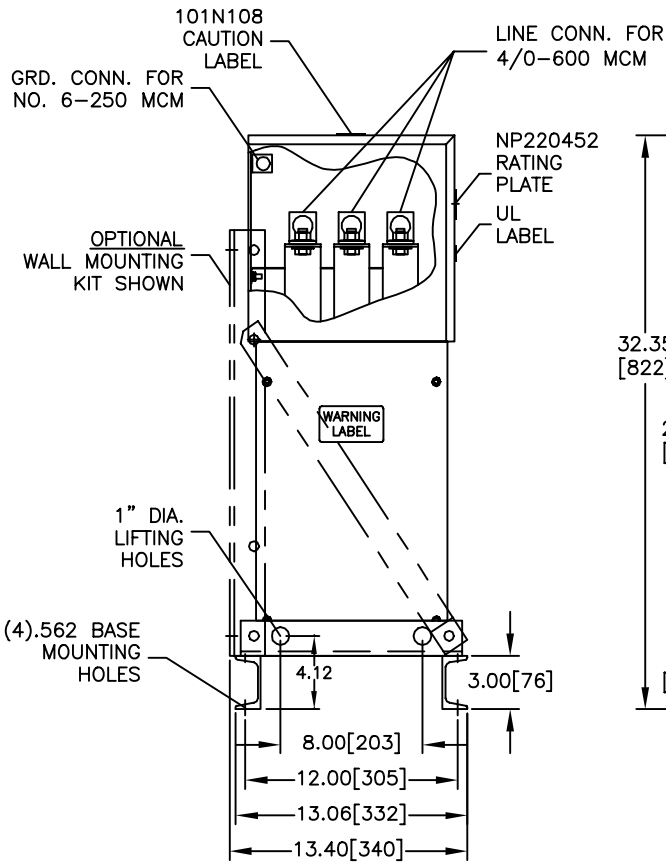
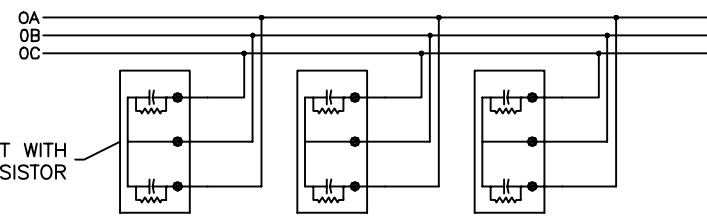
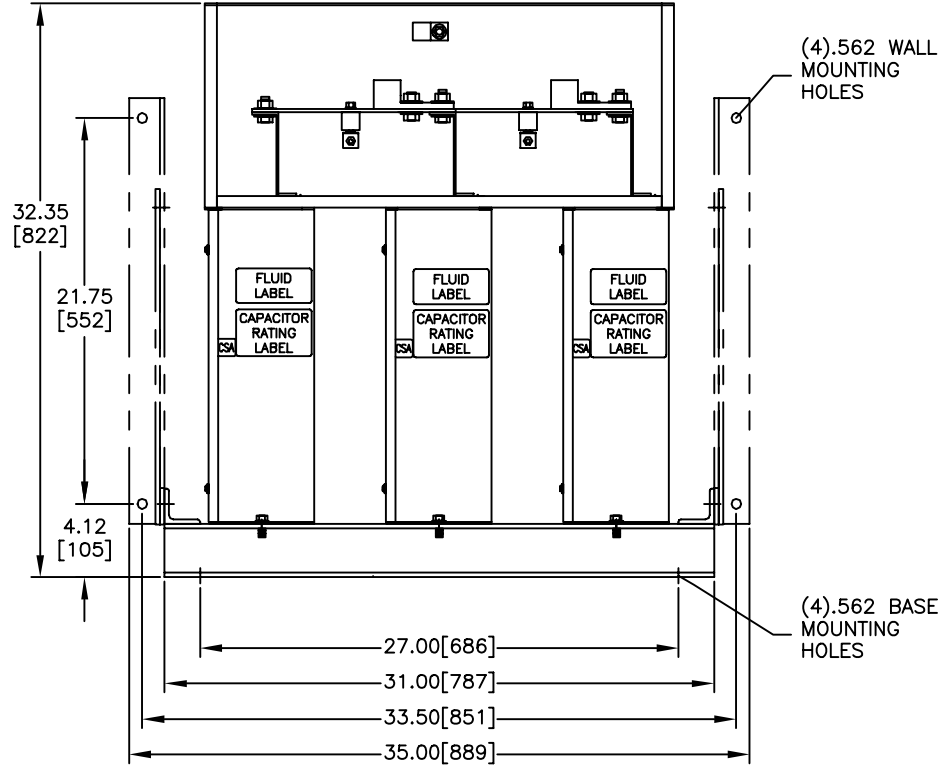


| | | | |
|-----------|---------------------|----------|----------|
| SIZE A | DWG NO 65L914TX3 | SHT 2 | REV |
| REV | DESCRIPTION | DATE | APPROVED |



FRONT VIEW
SHOWN WITH TOP/FRONT COVER REMOVED



CONNECTION DIAGRAM

CAPACITOR

CAT. 65L914TX3 SER.NO.
kVAR 110 60 Hz 1 Ph
VOLT. 240 CONN. COM CTR
DIAG. 186C3233FN

CAUTION BEFORE INSTALLING OR OPERATING READ INST. 2738
CAPACITOR UNITS CONTAIN CLASS III B COMBUSTIBLE LIQUID.
CAPACITOR UNITS INCLUDE INTERNAL DISCHARGE RESISTORS.
NP220452 FORT EDWARD, N.Y. MADE IN U.S.A.

| | | | |
|--|---------------------------------------|---------------------|---|
| INDUSTRIAL SYSTEMS FORT EDWARD, N.Y., U.S.A. | SIZE A | EST. WEIGHT: 137 | <h1 style="margin: 0;">OUTLINE</h1> <h2 style="margin: 0;">65L914TX3</h2> |
| | DRAWN B.Ross DATE 8/8/2003 | SCALE | |
| ISSUED | DATE 8/13/2003 | SHEET 2 | CONT ON - |

DISTR. TO